

DESIGN PLUS
powered by **light+building**



BY CHICAGO ATHENAEUM

Tracker

Goes with the flow

Created
to create







Beo Shopping center, Belgrade, Serbia / Architecture: Chapman Taylor / Interior design: TT Design / Lighting Design: Carla Wilkins, Lichtvision
Photography: Miloš Martinović





Dublin Airport central, Dublin, Ireland / Architecture: TOTA / Photography: Donal Murphy

Beo Shopping center, Belgrade, Serbia / Architecture: Chapman Taylor / Interior design: TT Design / Lighting Design: Carla Wilkins, Lichtvision
Photography: Miloš Martinović





Expo space / Visualization: Render Atelier
Airport / Visualization: Render Atelier





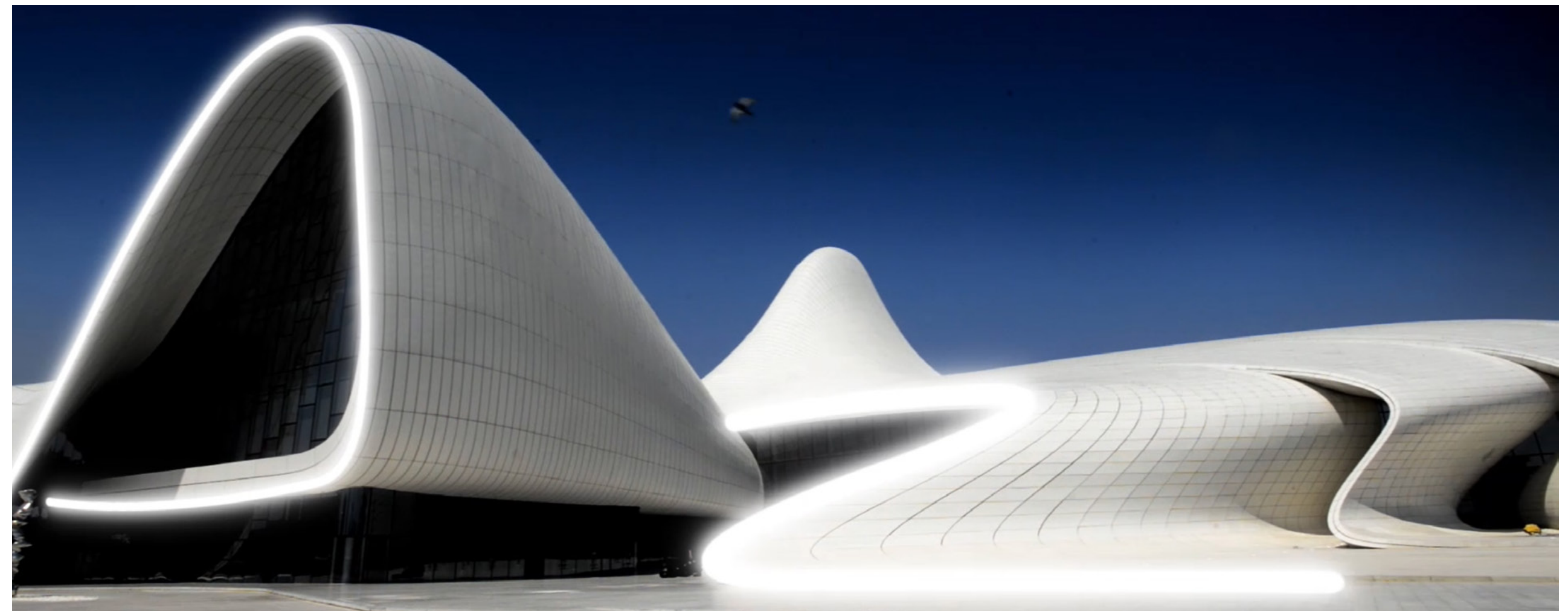
- TV
- Day ward
- Day Care
- Medicine
- Child Care
- Diagnostic
- Laboratory
- Intensive Care Unit



Linate Airport, Milan, Italy / Architecture: Gnosis / Photography: Chiara Del Sordo

Overcoming orthogonal shapes

In nature the forms are soft and fluid, never orthogonal. Therefore, in architecture fluid forms feel more natural and are pleasing to the eye. Tracker was made to track them with no compromise.



Every luminaire can go left and right. But can they do this?

Tracker can go up and down. With its ability to adapt to wall or ceiling ratios (+/-500 mm), it can vary from bold and artistic to a luminaire that discreetly blends in and supports the creativity of the architect or lighting designer.

And it's not only about its clean looks; it's also about the hidden logic of this luminaire, as it fits perfectly with standard construction elements.



A luminaire with a spine of its own

When developing the supporting structure of Tracker, the idea was to imitate the flexible spine of the reptiles. In fact, it can endlessly move through space with uncompromising agility.



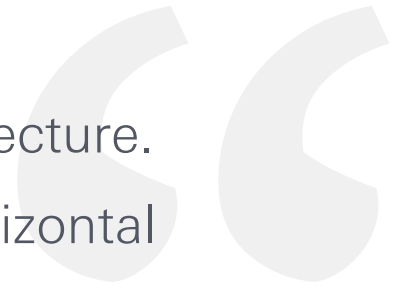
Created to create.

Tracker is made to track the fluid architecture. It is the first luminaire to go beyond horizontal movement and by far our most adjustable trimless luminaire when it comes to shapes.

Inspired by soft and fluid forms from nature and architecture Tracker can create limitless forms and shapes that, like in nature, are never linear. With it it is like drawing light in space.

DESIGN:

Intra lighting



Family range

LUMINAIRE LUMINOUS FLUX

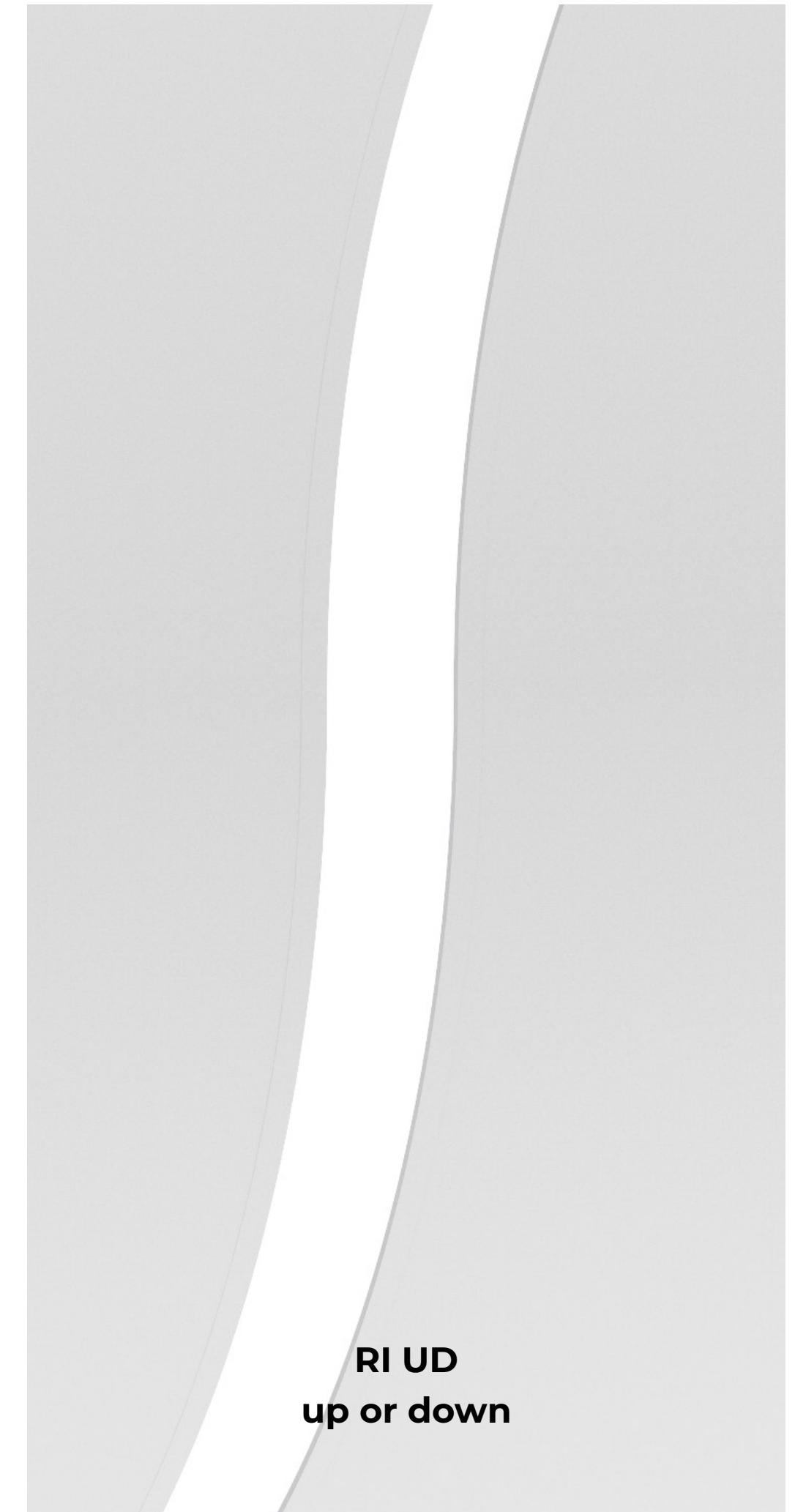
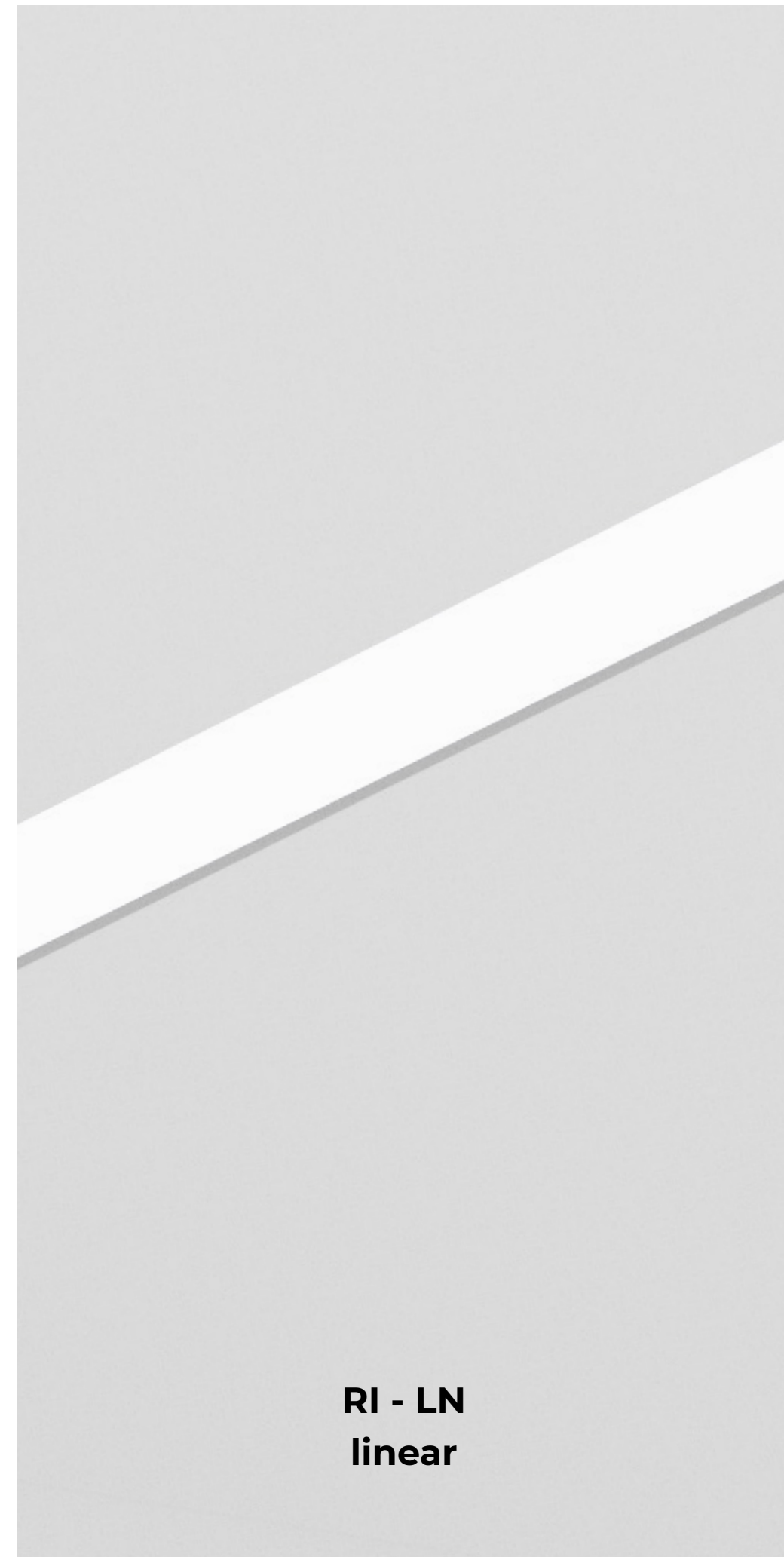
1700, 2400 lm/m

SIZE (HxW)

27 x 56 mm

MODULE LENGTH

950 - 4750 mm

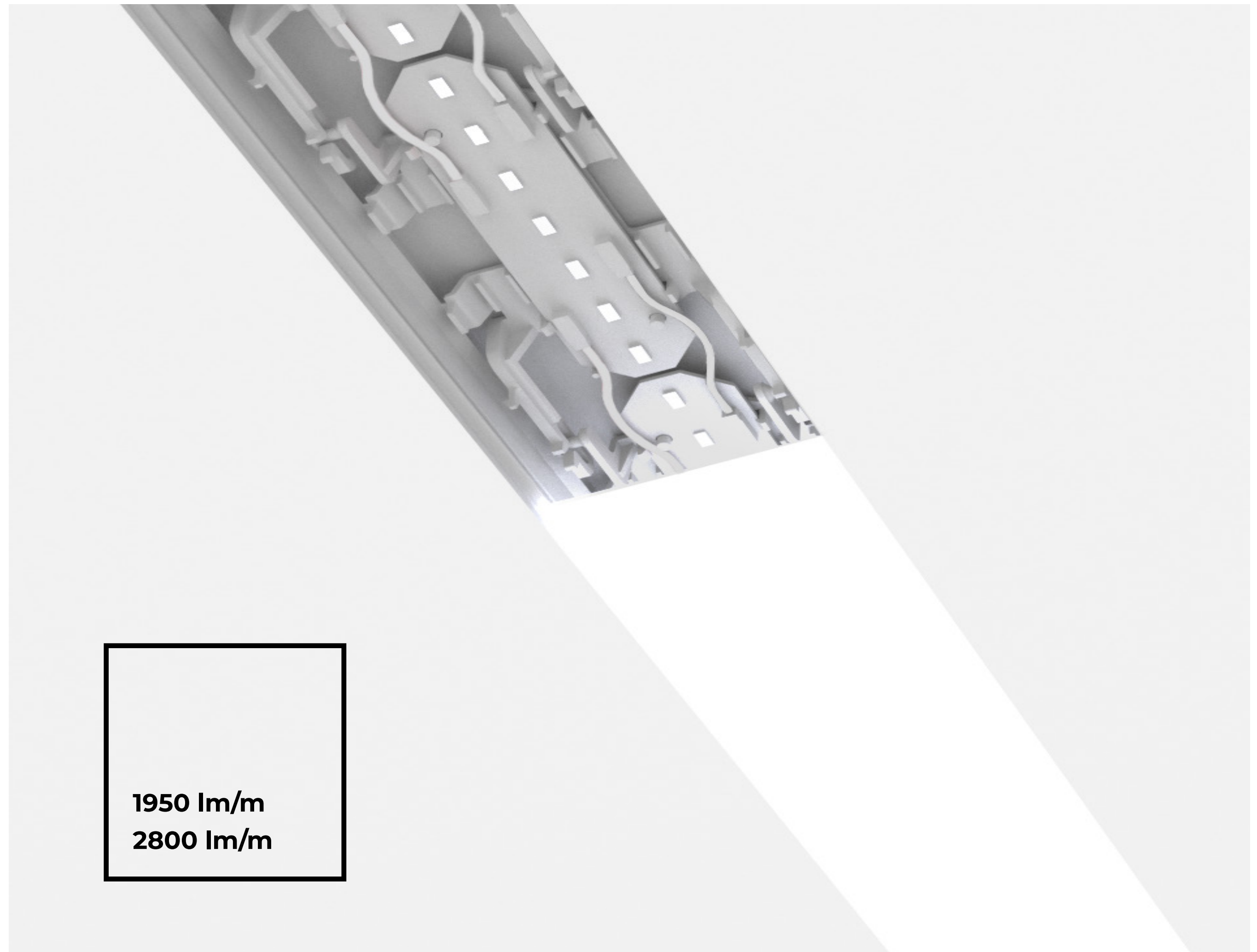


Strong and reliable

It's made to last. Intra lighting stands behind with a 7-Year Warranty.

Technically Tracker gives:

- Trimless installation
- High light output
- Seamless light curve
- Homogeneous light
- Superb light quality
- Durability



1950 lm/m
2800 lm/m

High light output: great visual impact by night

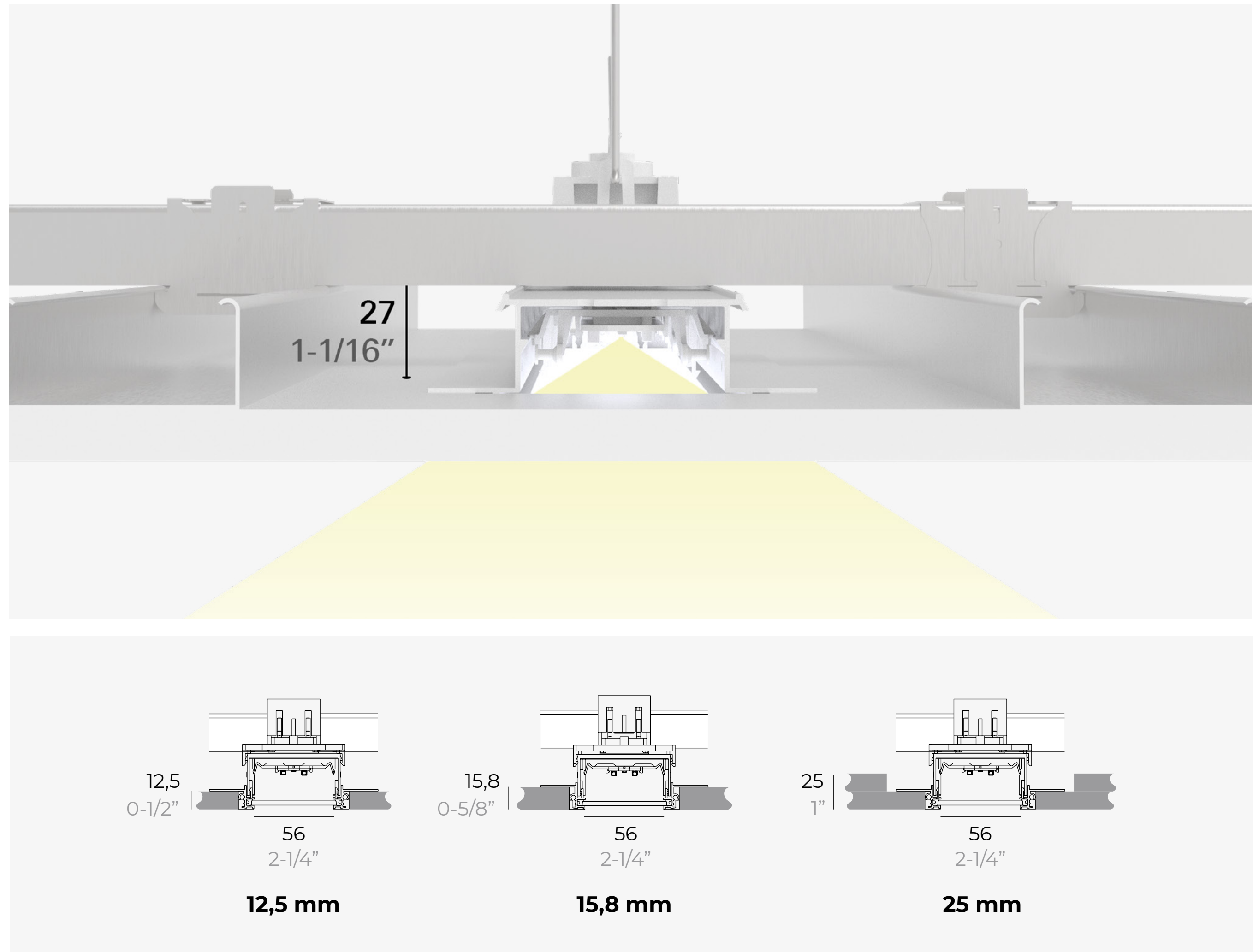
Its light output is so high that Tracker can be part of night impressions of your building or take over after the sun goes down.



Goes under the primary ceiling construction

Tracker doesn't weaken the ceiling load capacity.

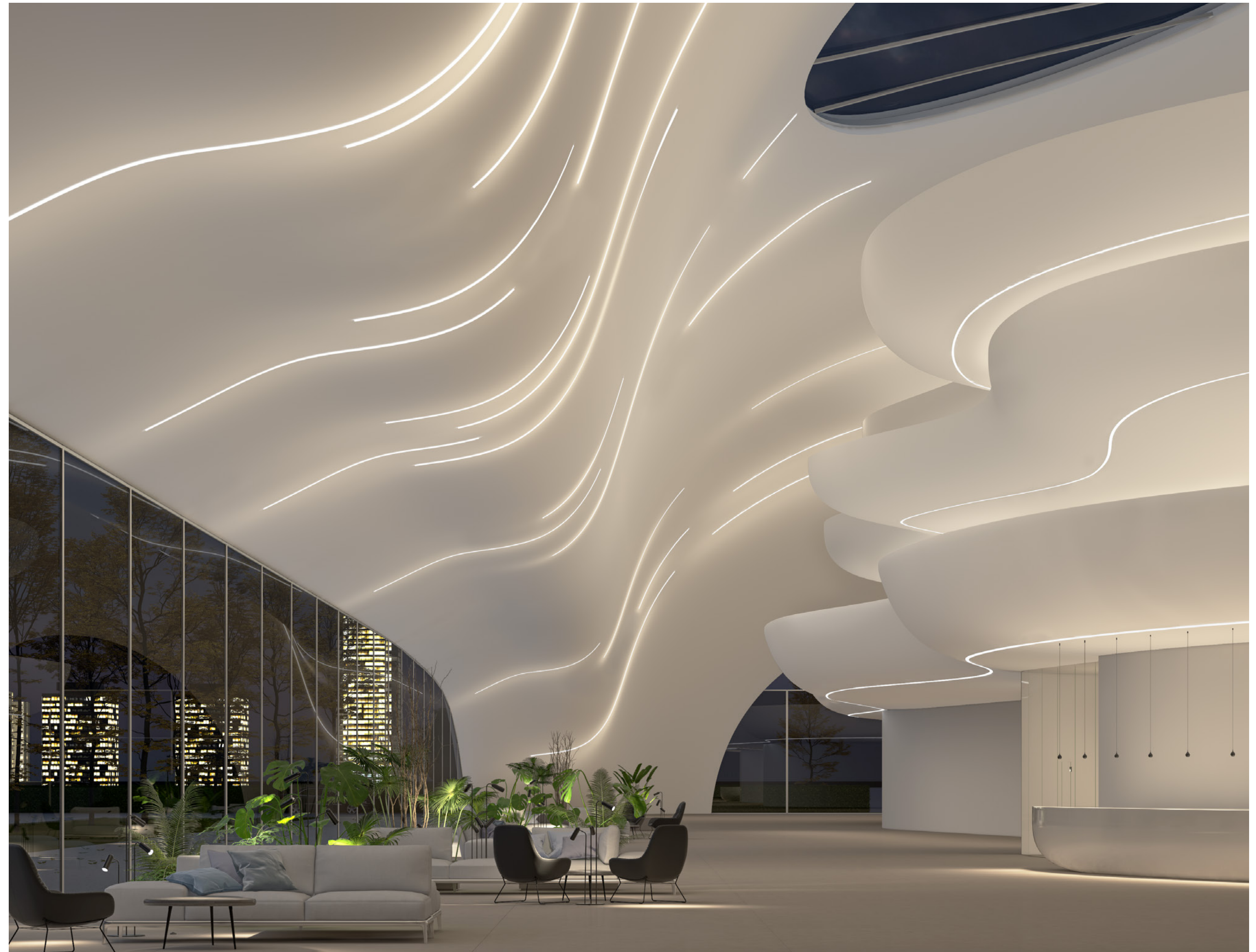
In order to maintain the strenght of the ceiling structure the low luminaire height corresponds to recessed depth of the secondary ceiling profile construction. Cutting the primary ceiling profiles is not required. In order to cover all kinds of plaster thicknesses we designed 2 profile types.



Tracker UD

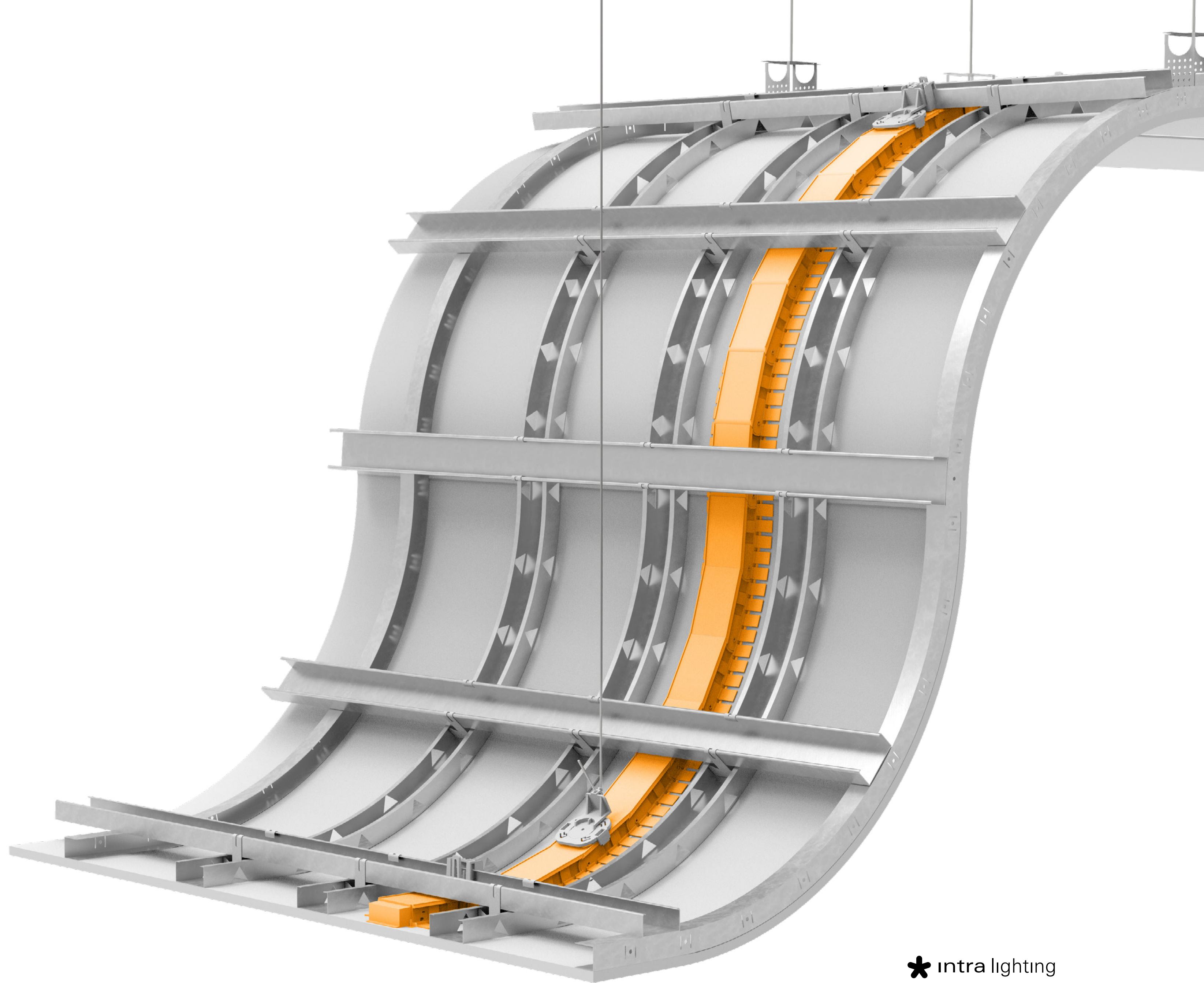
Illuminate your space in new ways

From classic horizontal to vertical curves, Tracker can follow your space in many different ways. It can go straight or as a wave, and most important - all its modules can connect together into an endless fluid light line.



Tracker UD: Bends with the ceiling

The inspiration to design Tracker was the spine and its flexibility. It was made to become part of the standard ceiling construction where many details were taken in consideration: simple installation, maintaining the ceiling load capacity and no need to cut the primary ceiling construction. Tracker UD literally bends with the ceiling to track different ceiling radii and adapts to both, concave and convex surfaces.

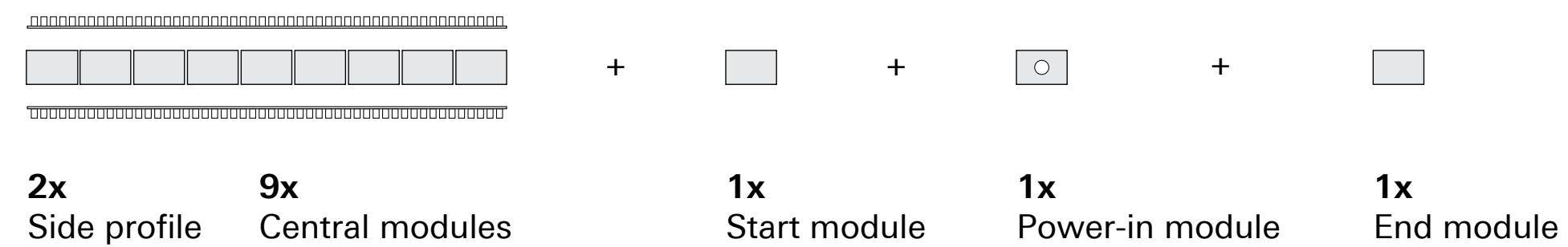


Tracker UD modules

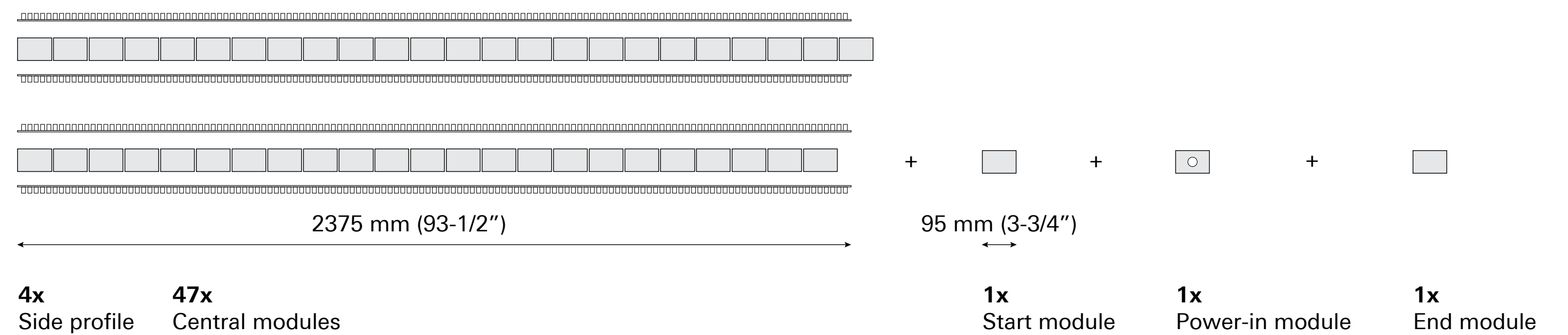
Select from two standard lengths. Each module can be easily replaced, connected together or removed in case you need a shorter length.

Every package includes additional modules, for example the power-in module, that allows you to choose the power-in position anywhere just replacing one of the central modules.

950 mm (37-3/8") length includes:



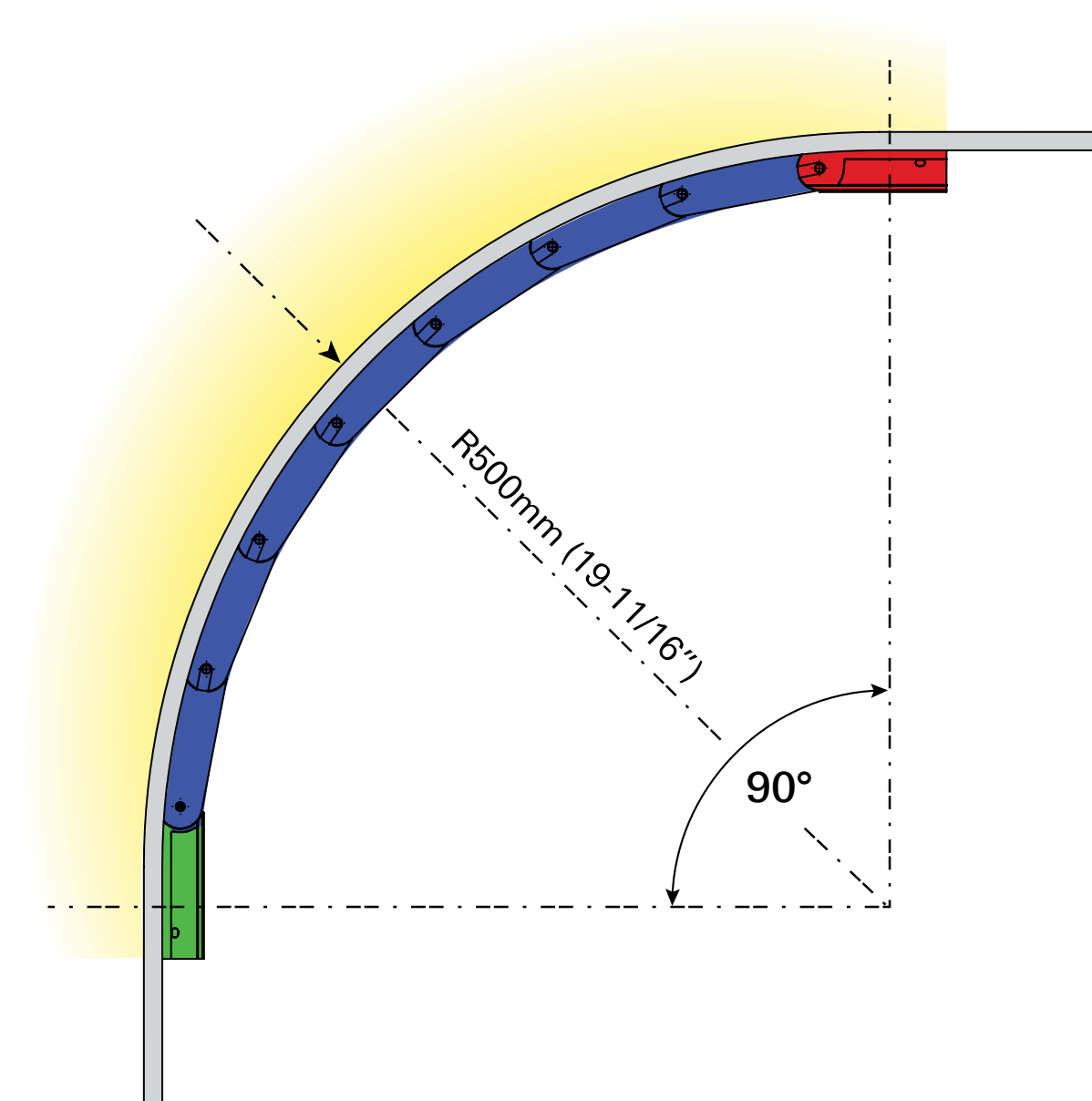
4750 mm (187") length includes:



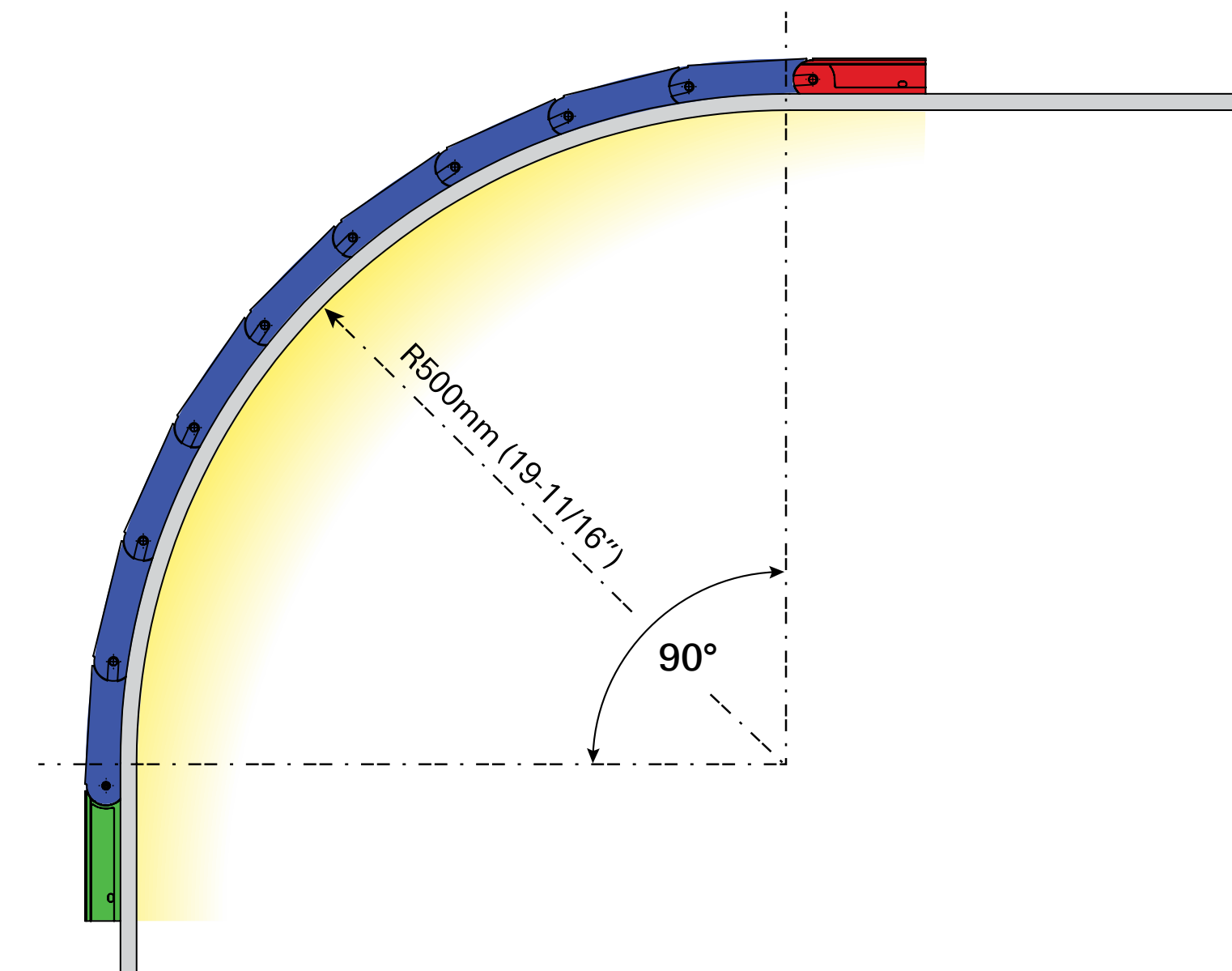
Concave and convex shapes

Curves are ranging from minimum to maximum radius 500 mm. Please note that convex arch length is shorter than concave, therefore, central modules can be removed.

Start- and end- modules are used when you want your light line to end. If you'd like your line to continue, the last module must end on a straight ceiling.



UD Convex



UD Concave

● Start module ● Central module ● End module

Tracker LR & LN

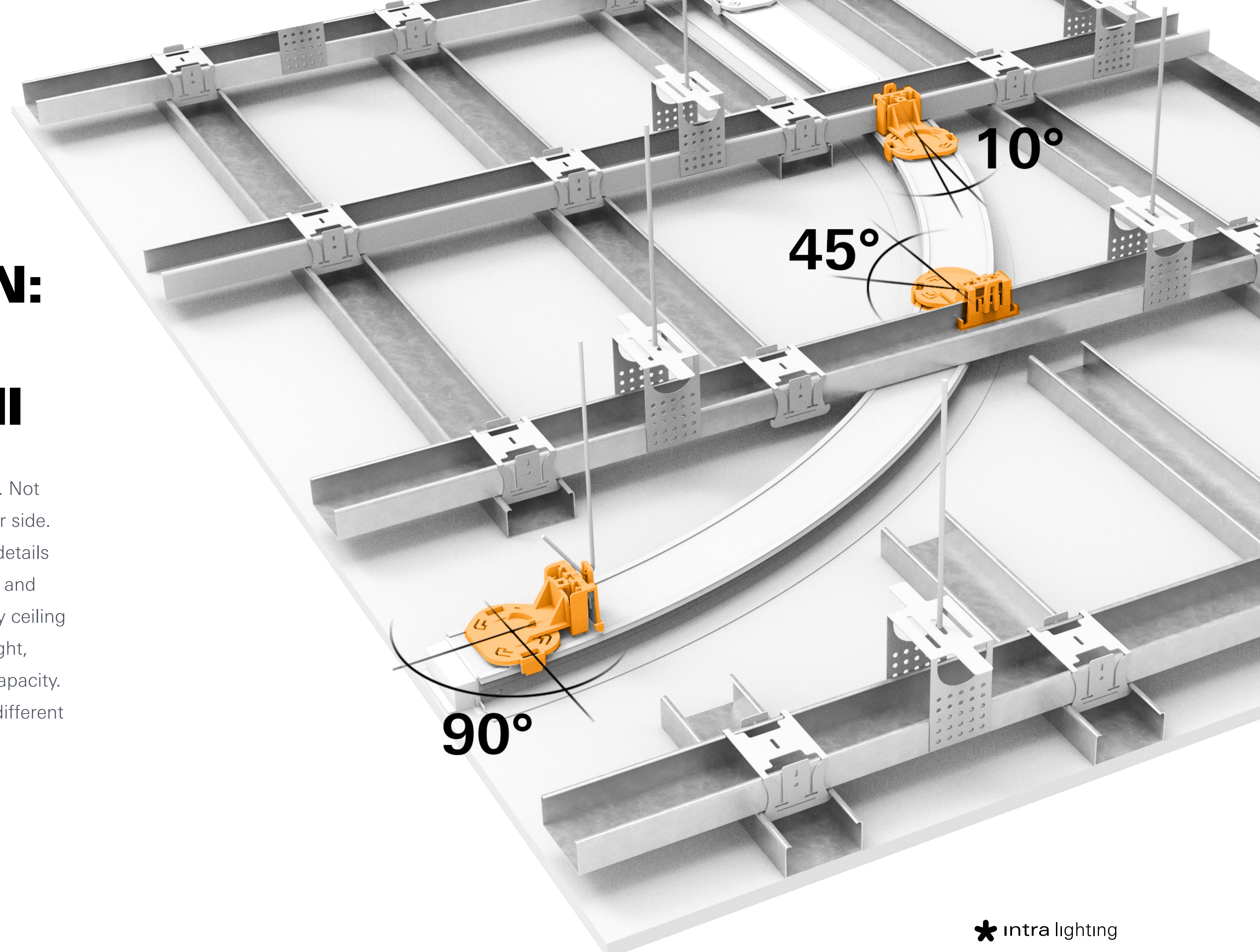
Bold or artistic

Let the Tracker guide you through the space and make your open spaces attractive and unique. It was made to support the creativity of architects and lighting designers in organized or creative compositions.



Tracker LR & LN: No burden for the ceiling at all

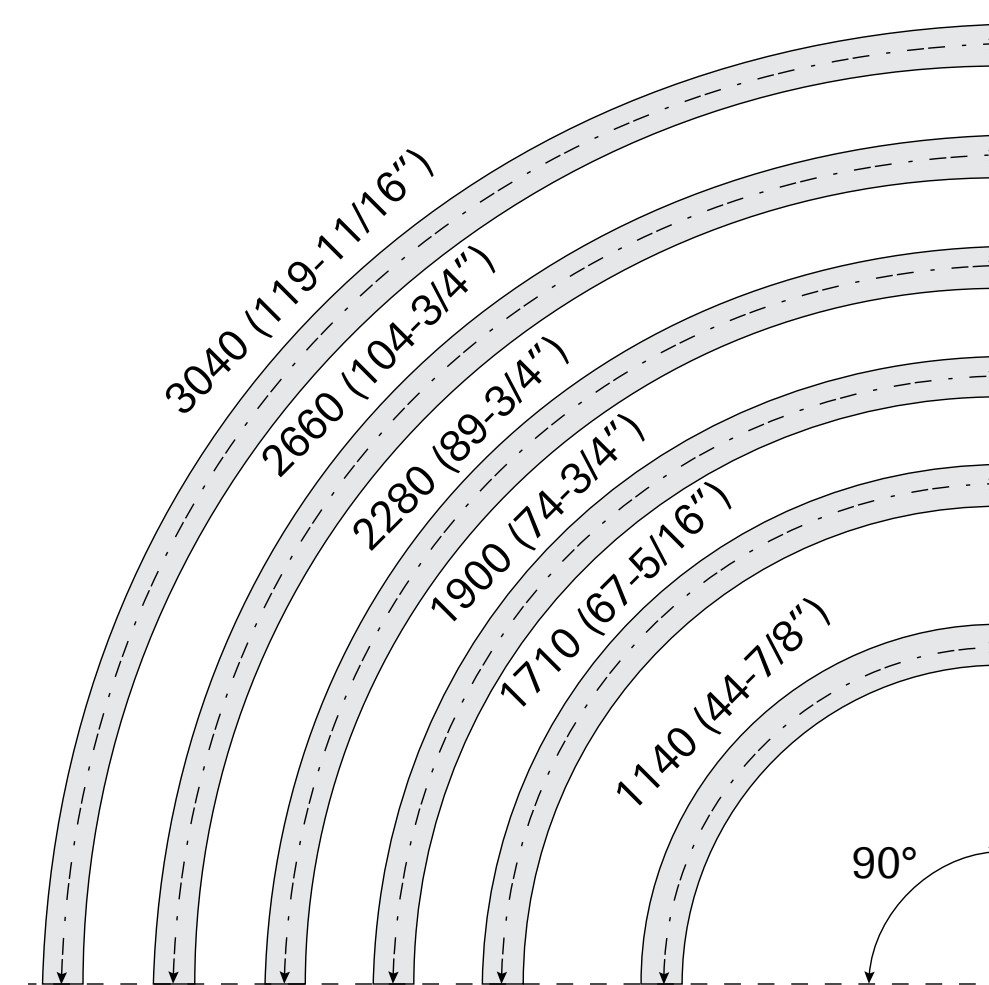
We solved many real life challenges in advance. Not many people will see the product from the other side. Those who will, will realize there are some key details that make a difference. The installation of linear and curved modules is really simple. Cutting primary ceiling profiles is not necessary due to the product height, therefore Tracker doesn't weaken ceiling load capacity. And the suspender sets are easy adjustable to different heights or rotation.



Wide choice of standard modules

Create your perfect light composition with a variety of standard light modules that give you freedom to combine them together in a different way.

Note that the linear module can be shortended on the spot to reach the desired dimension of your luminaire.



Tracker RI - LR 90° modules
1/4 of a circle

R3871
R152-3/8"

R2904
R114-5/16"

R2420
R95-1/4"

R1936
R76-1/4"

R1694
R66-3/4"

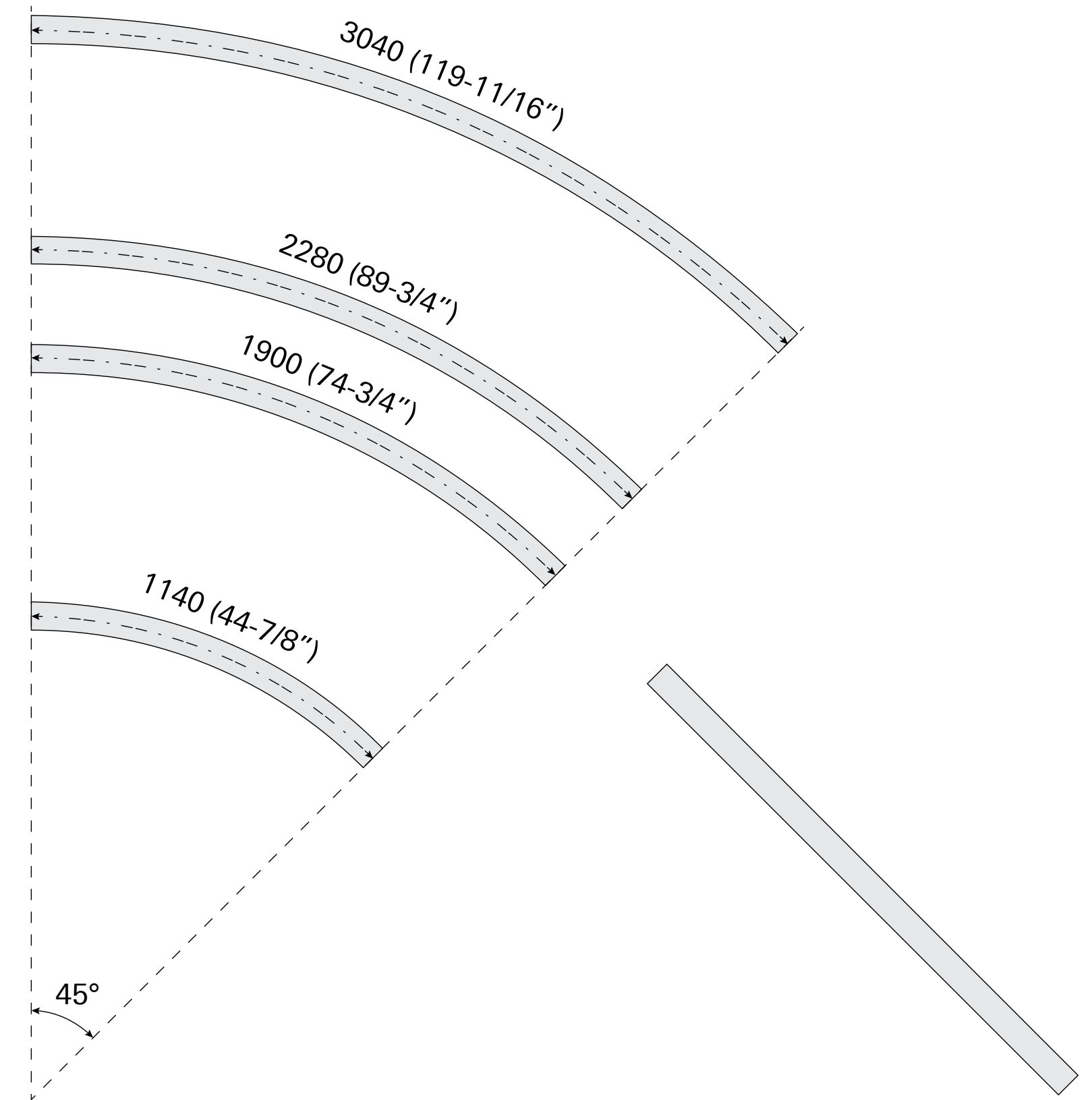
R1425
R56-1/8"

R1210
R47-5/8"

R1089
R42-7/8"

R726
R28-9/16"

Radius
(mm/inch)

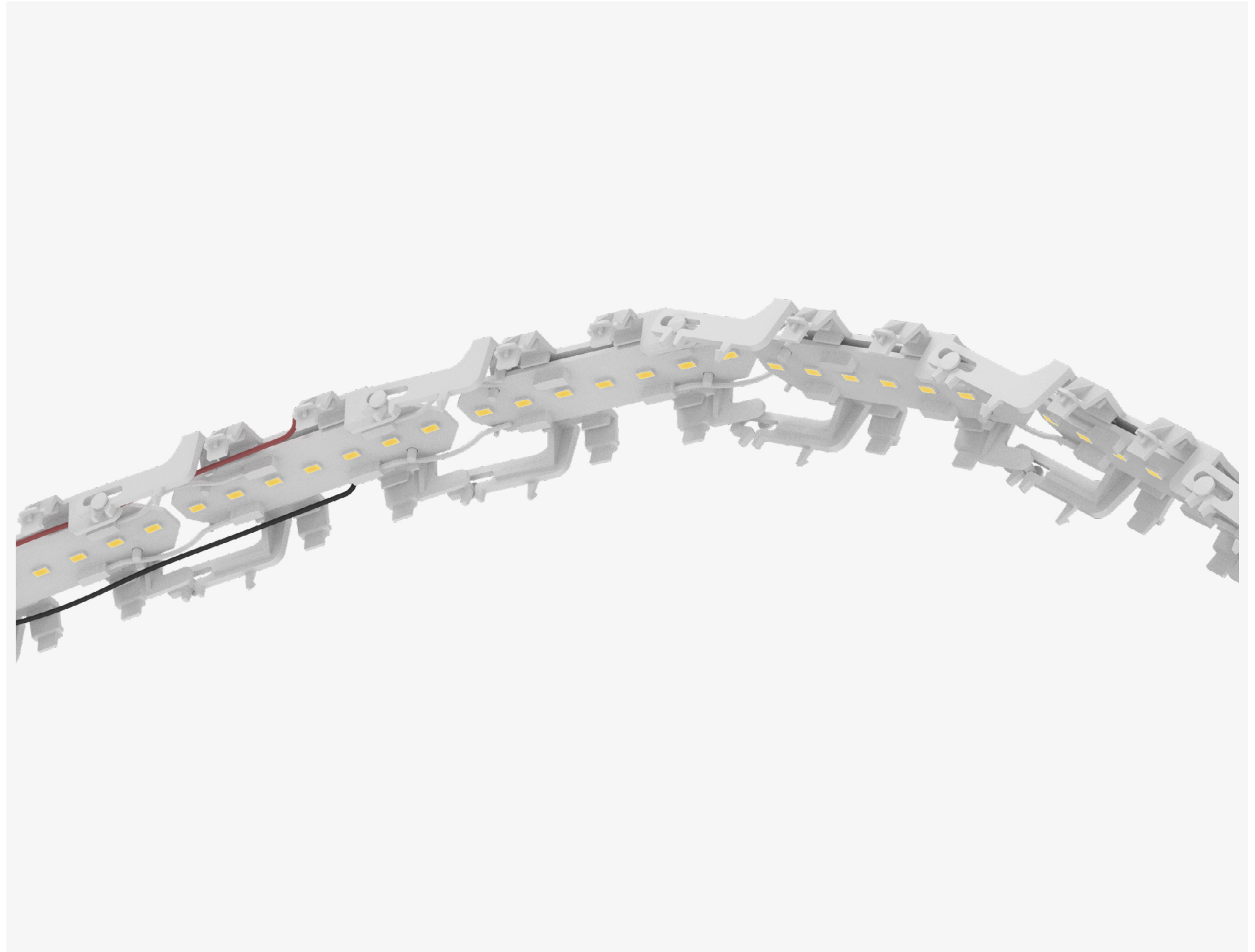


Tracker RI - LR 45° modules
1/8 of a circle

Linear modules
from 950 up to 3040 mm
from 37-3/8" up to 119-11/16"

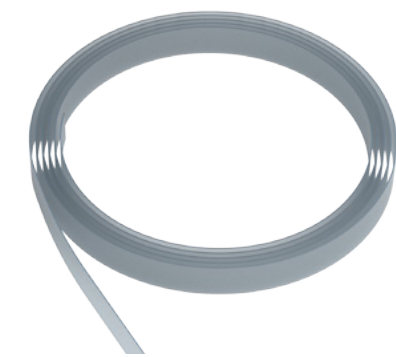
PCB chain

Available as 1x, 10x or 50x modules. The PCB chain is a required part and must be ordered separately for all modules.

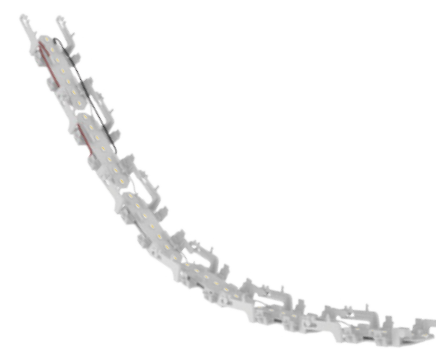


How to order

These parts are required for the luminaire to work properly and must be ordered separately.



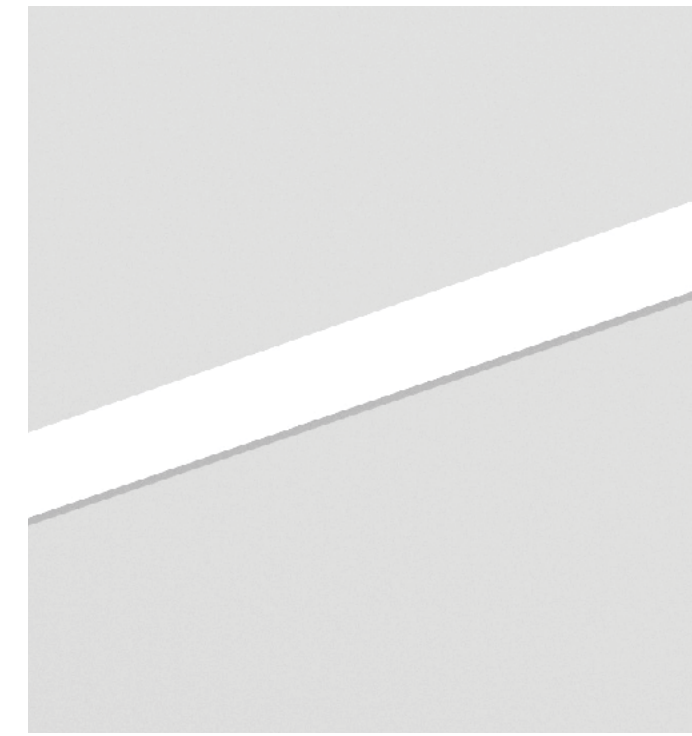
Diffuser in a roll
12,5 or 25m (492-1/8" or 984-1/4"),
SOP or DPR



PCB chain
1x, 10x or 50x modules

● Required part which must be order separately

N/A Not applicable



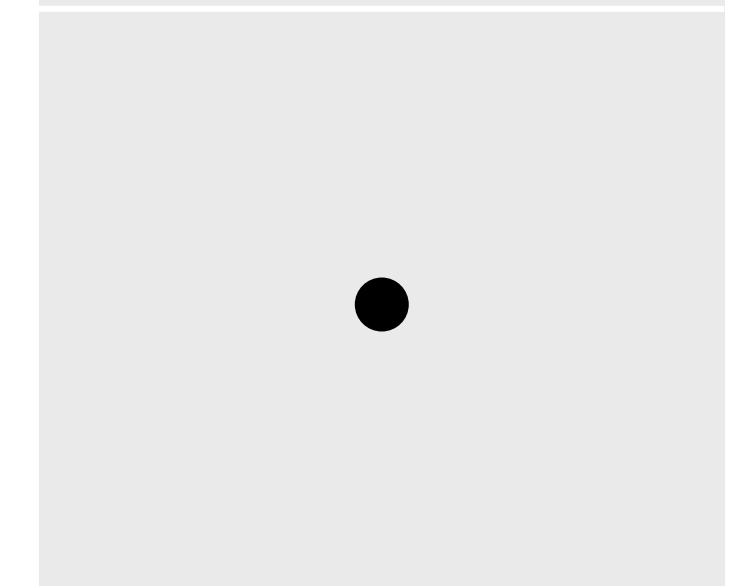
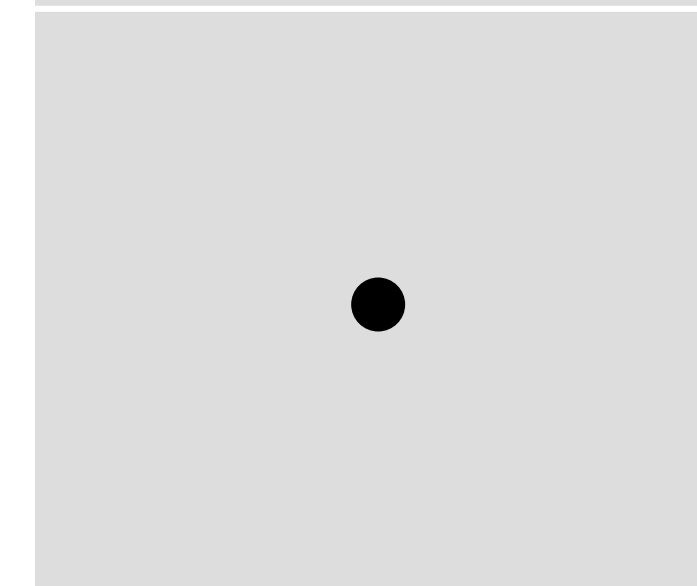
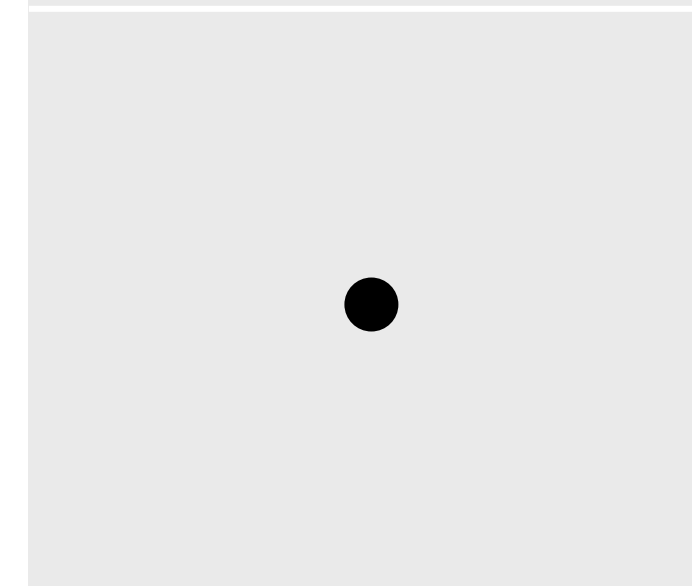
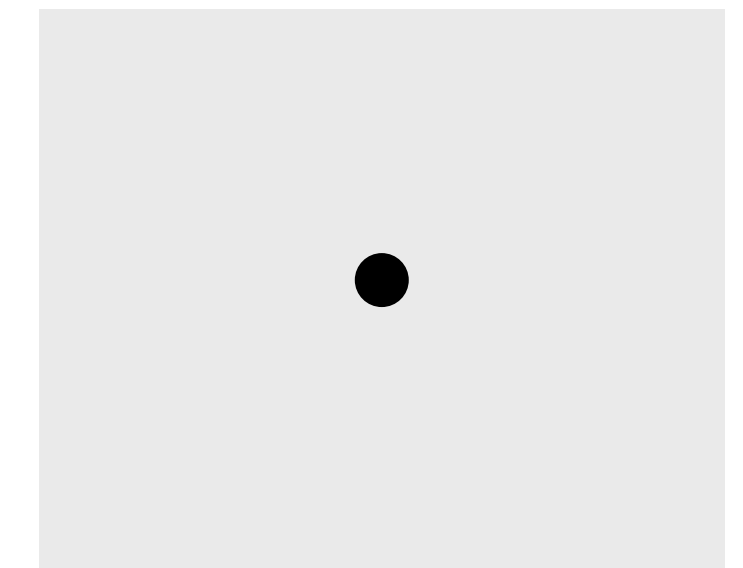
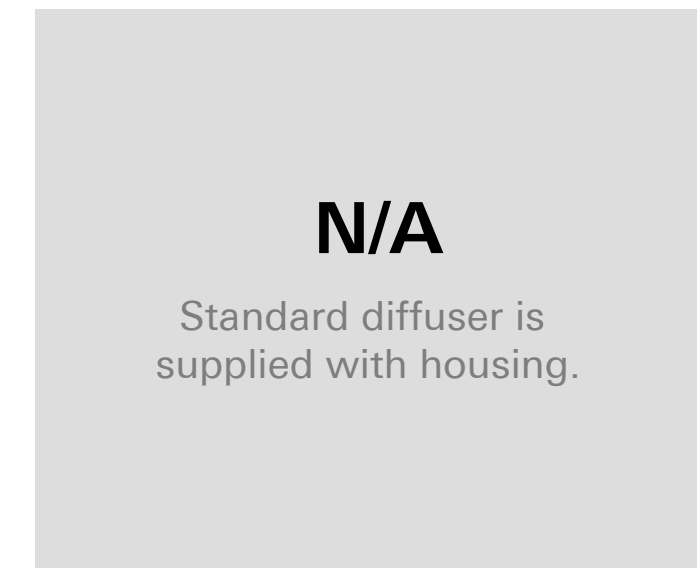
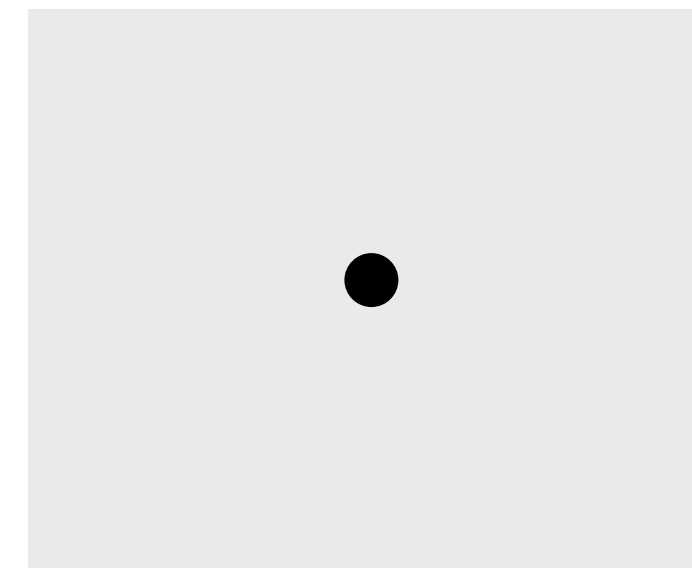
Tracker RI-LN
Linear



Tracker RI-LR
Curved left or right 90° / 45°



Tracker RI-UD
Curved up or down



Simple installation

We have taken special care for the needs of professionals involved in the installation process. Tools, designed specifically for Tracker allowed us to simplify the installation work.

[WATCH THE VIDEOS](#)

- 1 Prepare primary ceiling construction
- 2 Hang LN, LR and UD luminarie housing
- 3 Bend UD side profile and click it onto housing
- 4 Line up electrical cables
- 5 Mount secondary profiles and gypsum board
- 6 Insert multiple mounting tools
- 7 Fix the luminarie on plaster board
- 8 Apply plaster and clean the profile interior
- 9 Connect the power
- 10 Insert PCB chain
- 11 Cut the diffuser
- 12 Close the luminaire

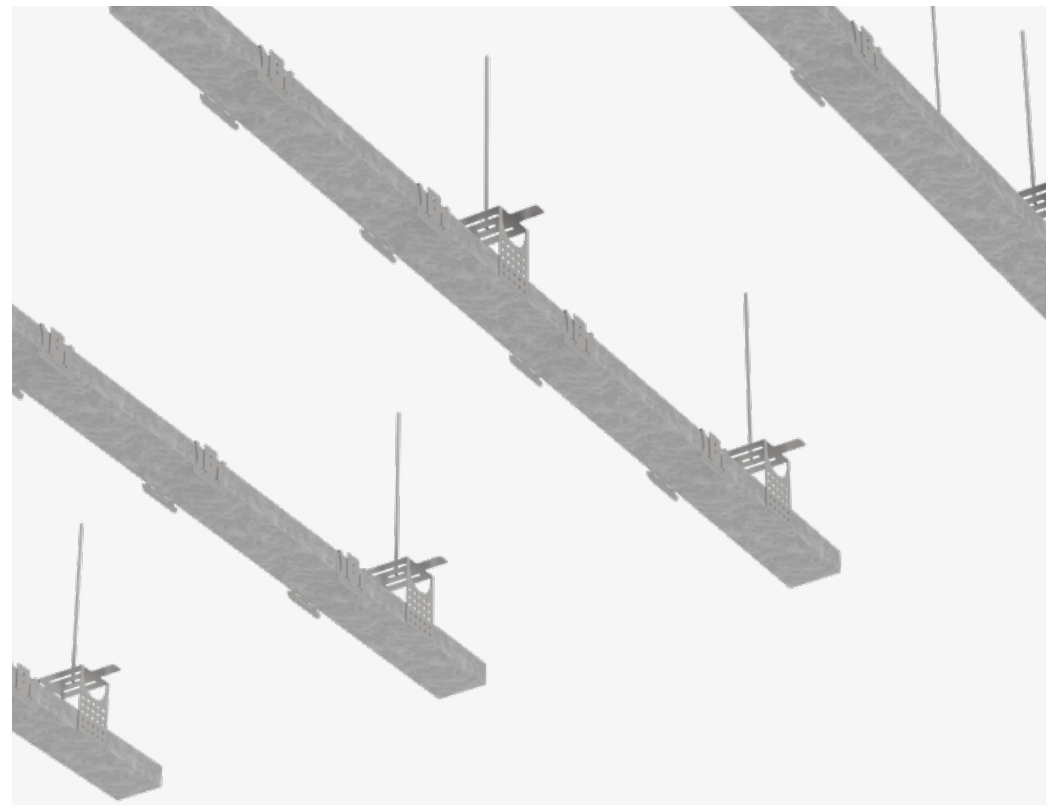


Drvwall builder



Electrical installer

Drvwall builder	Electrical installer
✓	
✓	
✓	
	✓
✓	
✓	
✓	
✓	
	✓
	✓
	✓
	✓



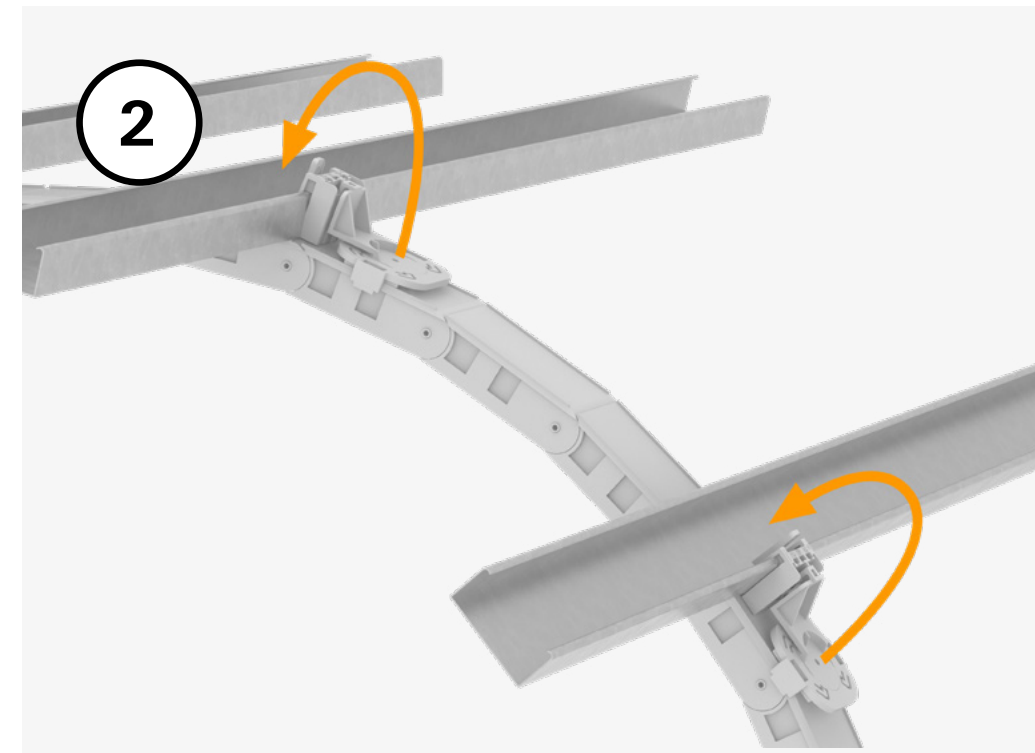
Prepare the primary ceiling construction

Mount the primary profiles for false ceiling.



Hang the LR / LN luminaire housing

Hang the luminaire housing on primary ceiling profiles.



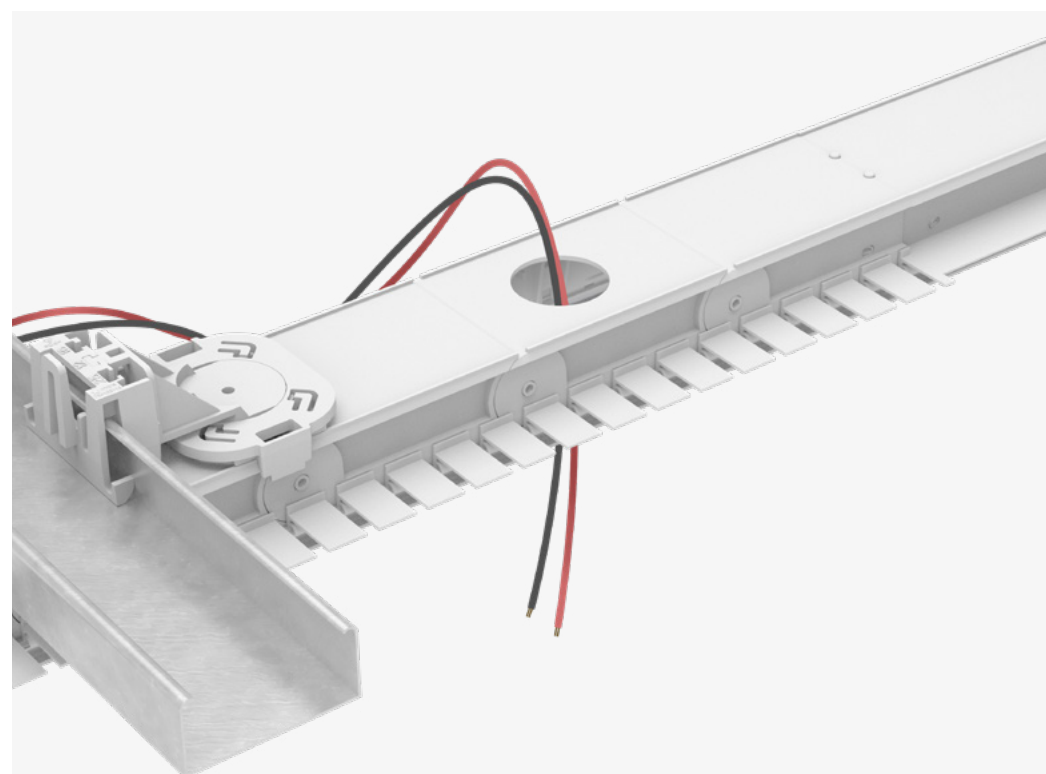
Bend and hang the UD luminaire housing

Hang the luminaire housing on primary ceiling profiles.



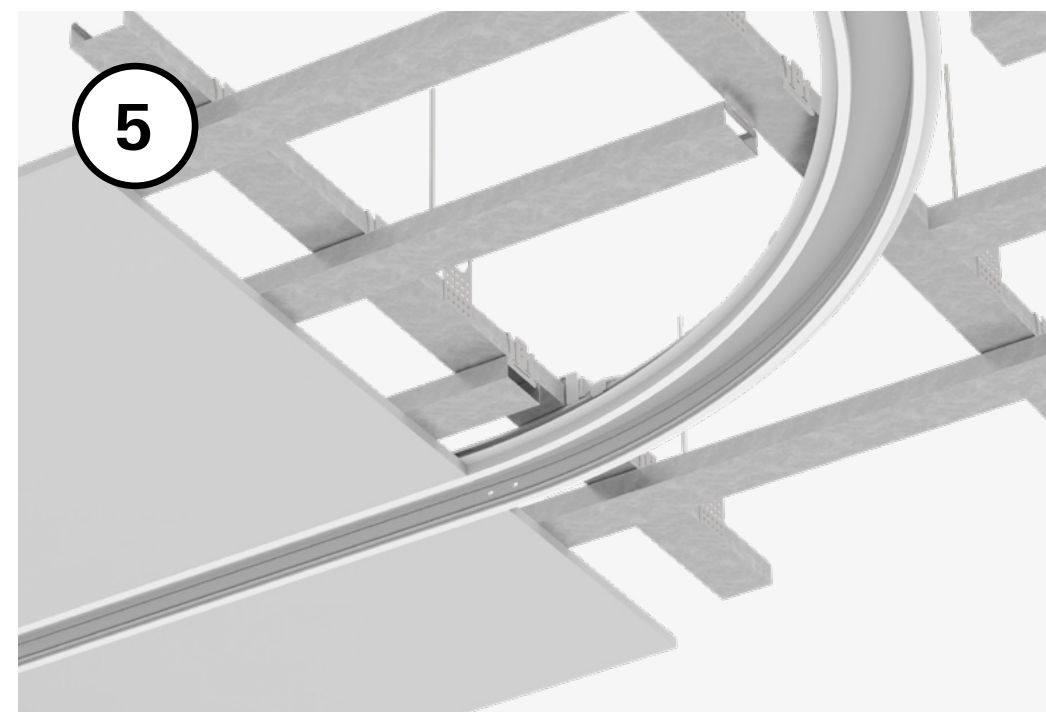
Bend the UD side profile and mount it

Bend the UD profile on the work surface and mount it to the UD luminaire housing to strengthen the form.



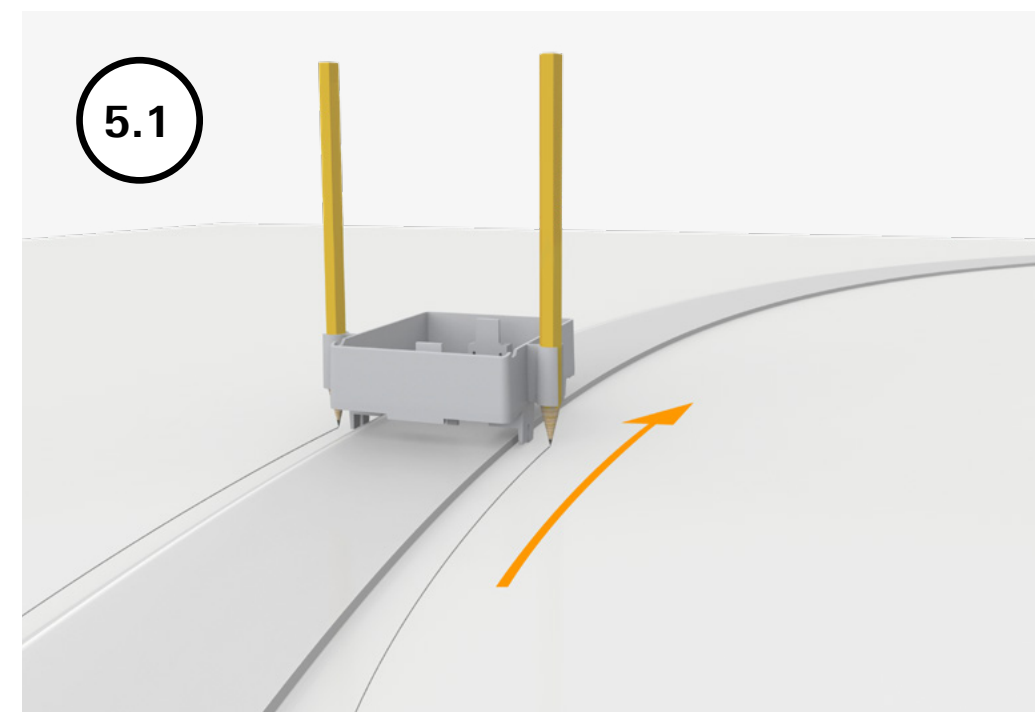
Line up electrical cables

Line up electrical cables through the power-in module.



Mount the secondary profiles and gypsum board

Finish the ceiling construction.



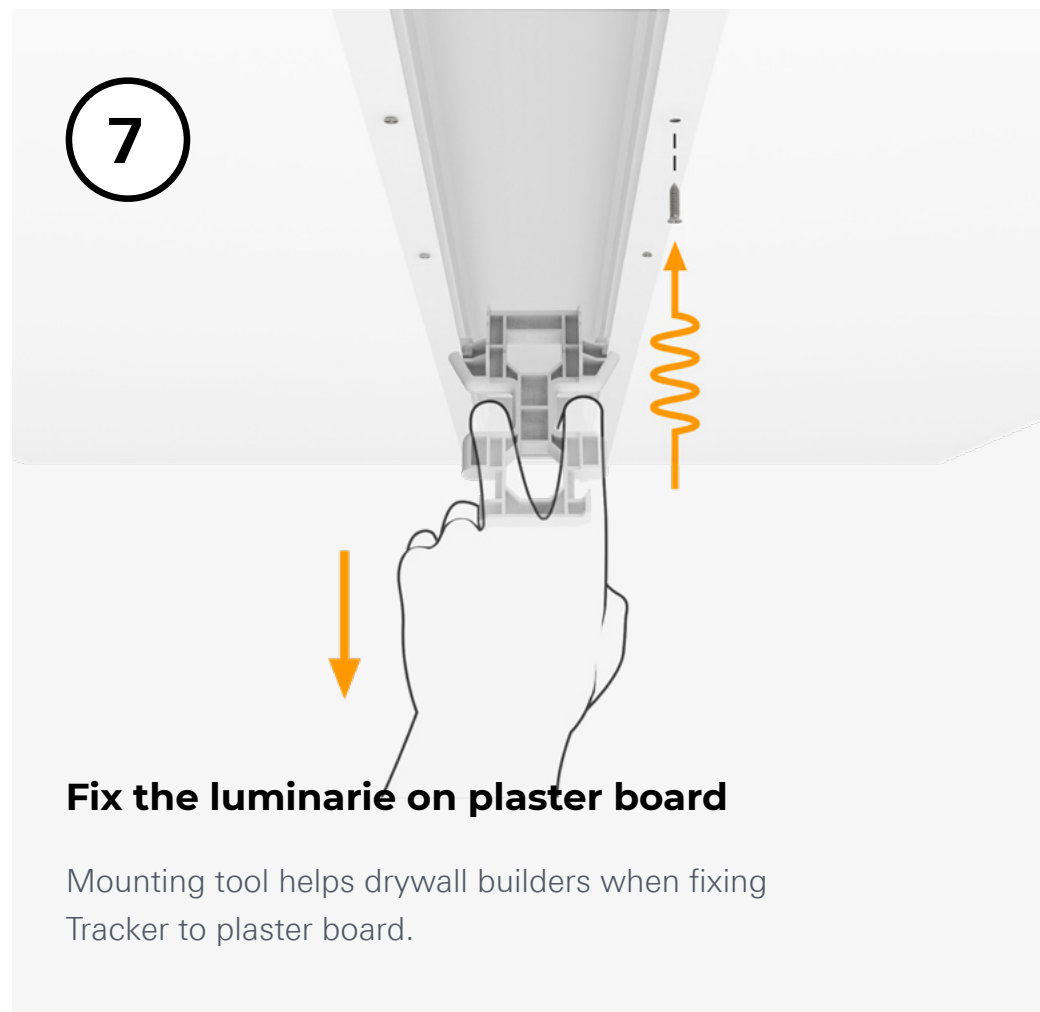
Mounting tool set (applies to Tracker RI-LR)

Stencil tool helps you draw a cut-out hole on the plaster board while it is on the floor.



Insert multiple mounting tools

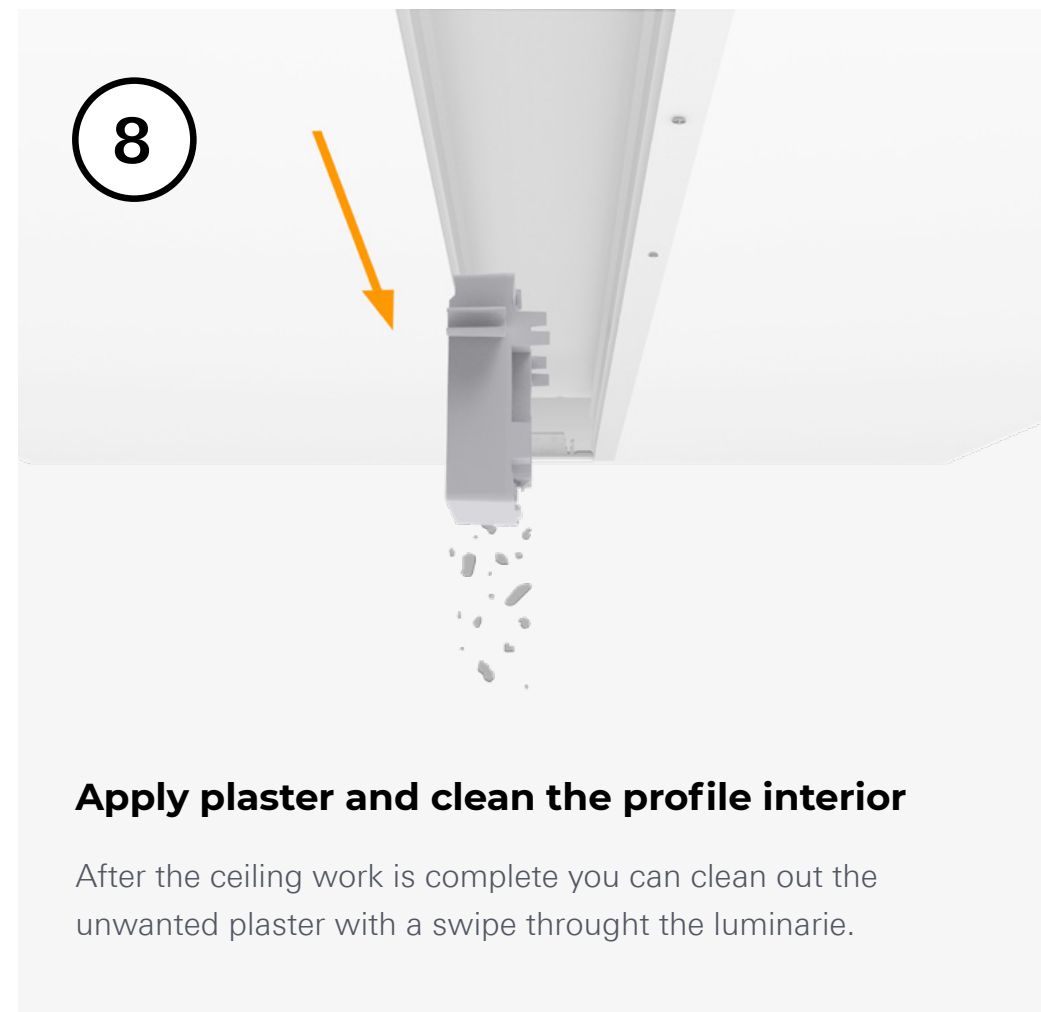
Clicking multiple mounting tools onto the profile helps you hold the width distance while screwing to the plaster board.



7

Fix the luminaire on plaster board

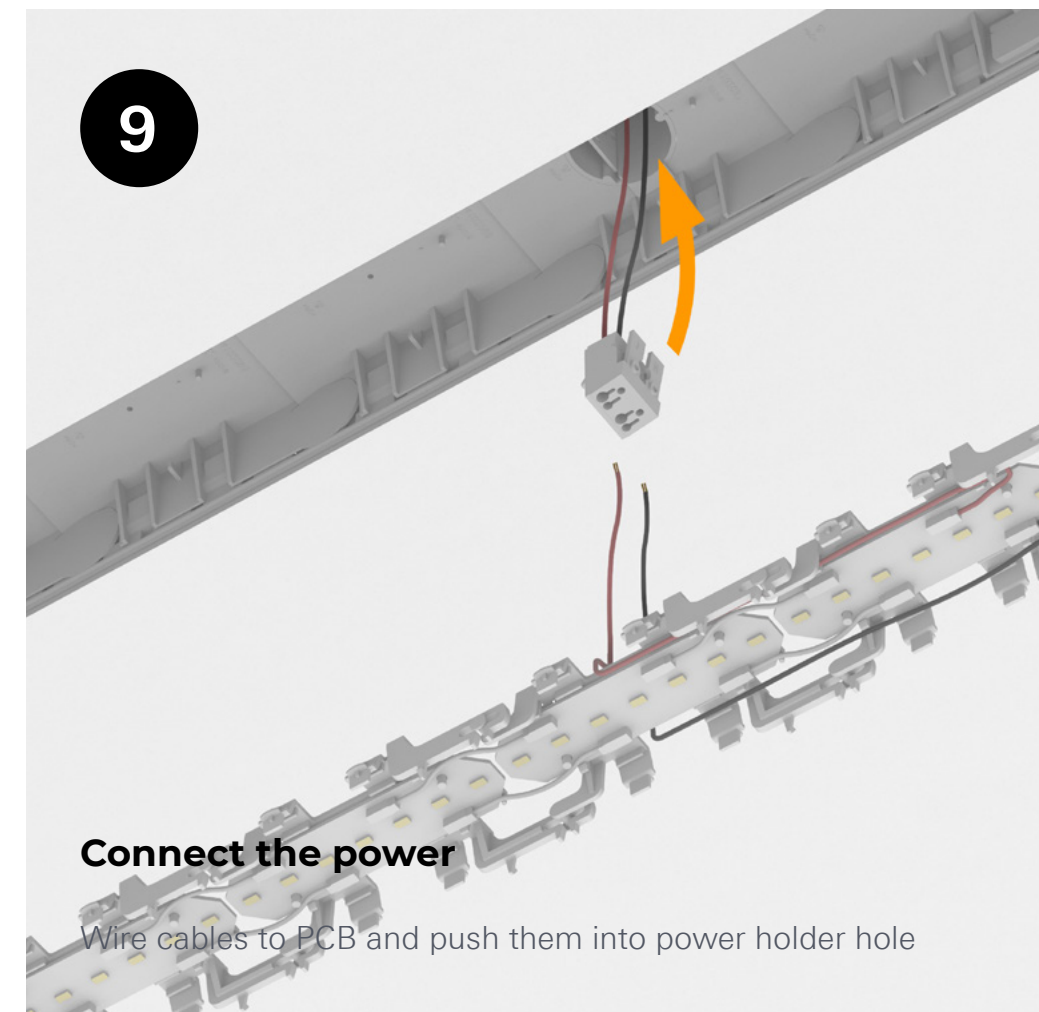
Mounting tool helps drywall builders when fixing Tracker to plaster board.



8

Apply plaster and clean the profile interior

After the ceiling work is complete you can clean out the unwanted plaster with a swipe through the luminaire.



9

Connect the power

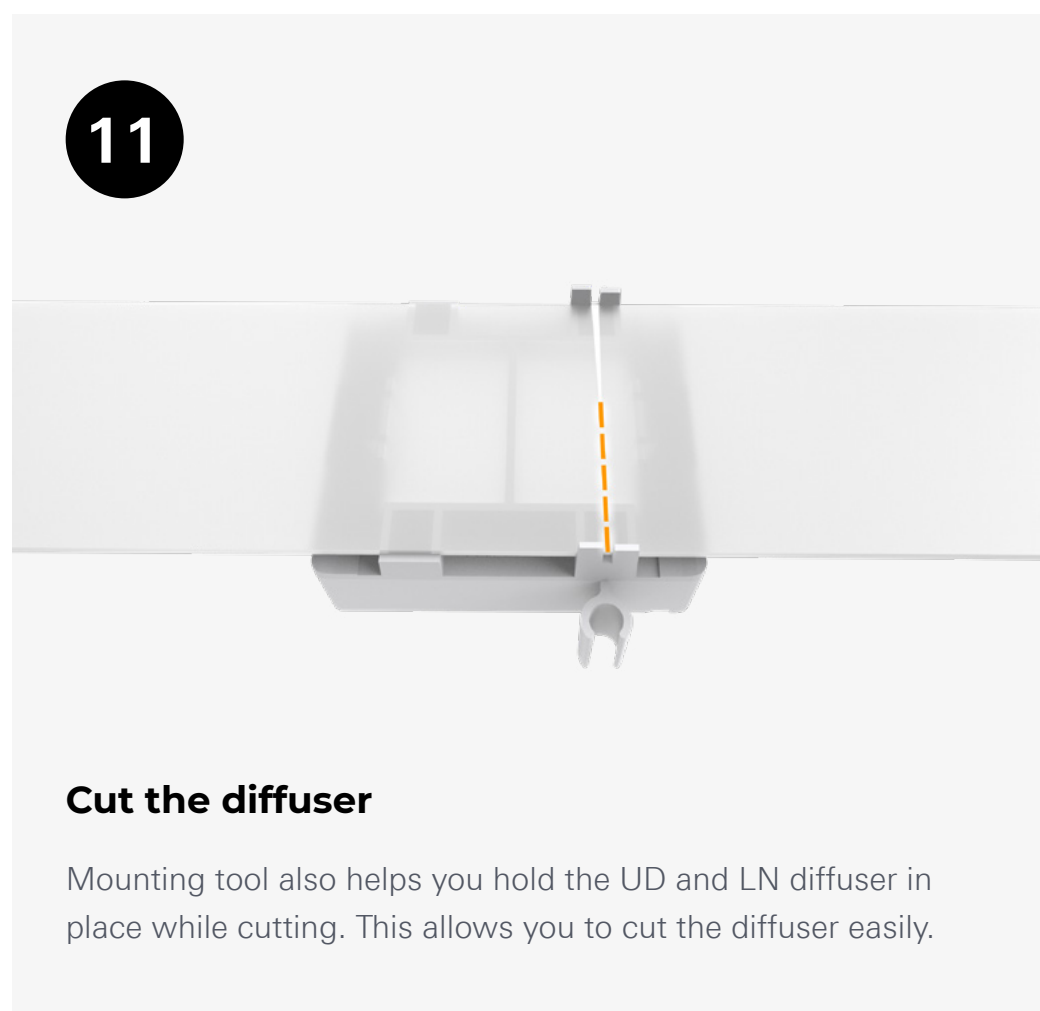
Wire cables to PCB and push them into power holder hole



10

Insert PCB chain

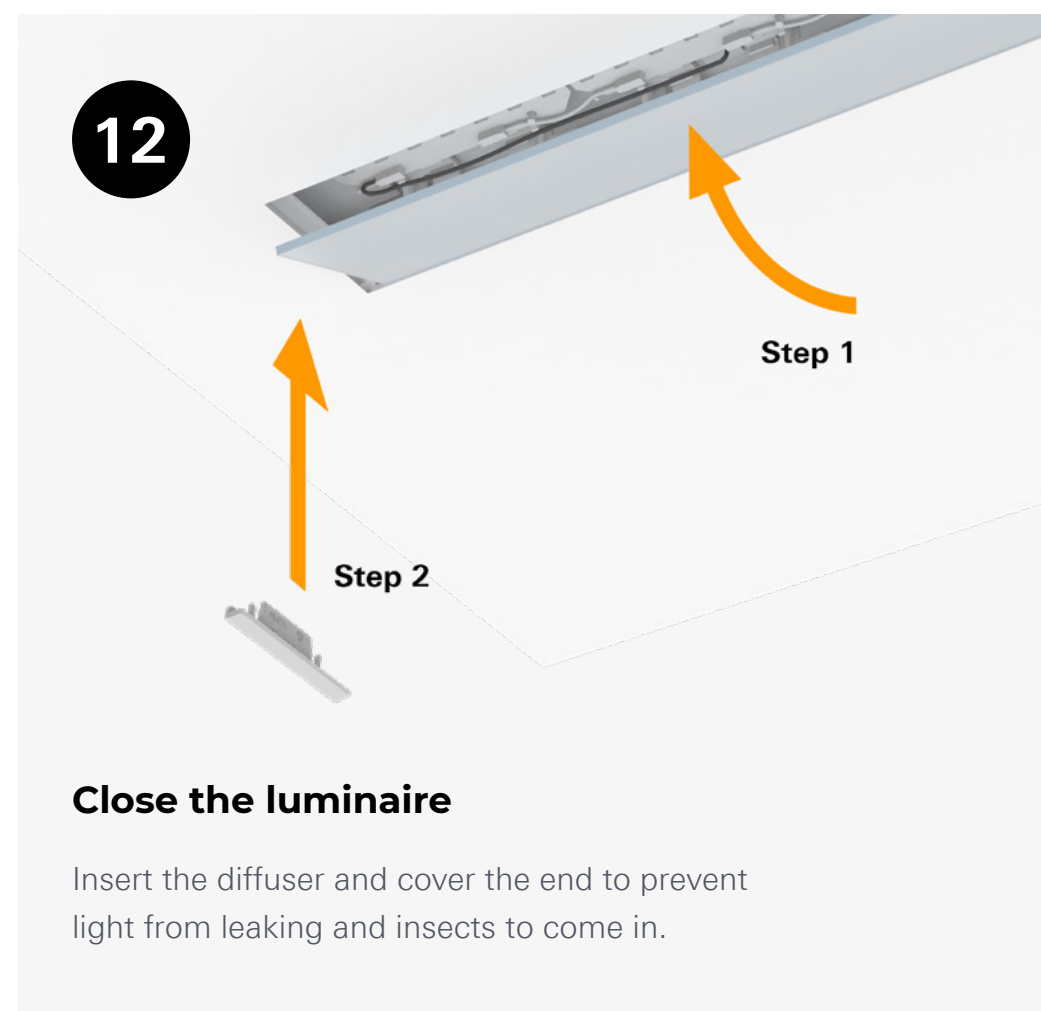
Insert PCB chain with a simple click-in system



11

Cut the diffuser

Mounting tool also helps you hold the UD and LN diffuser in place while cutting. This allows you to cut the diffuser easily.



12

Close the luminaire

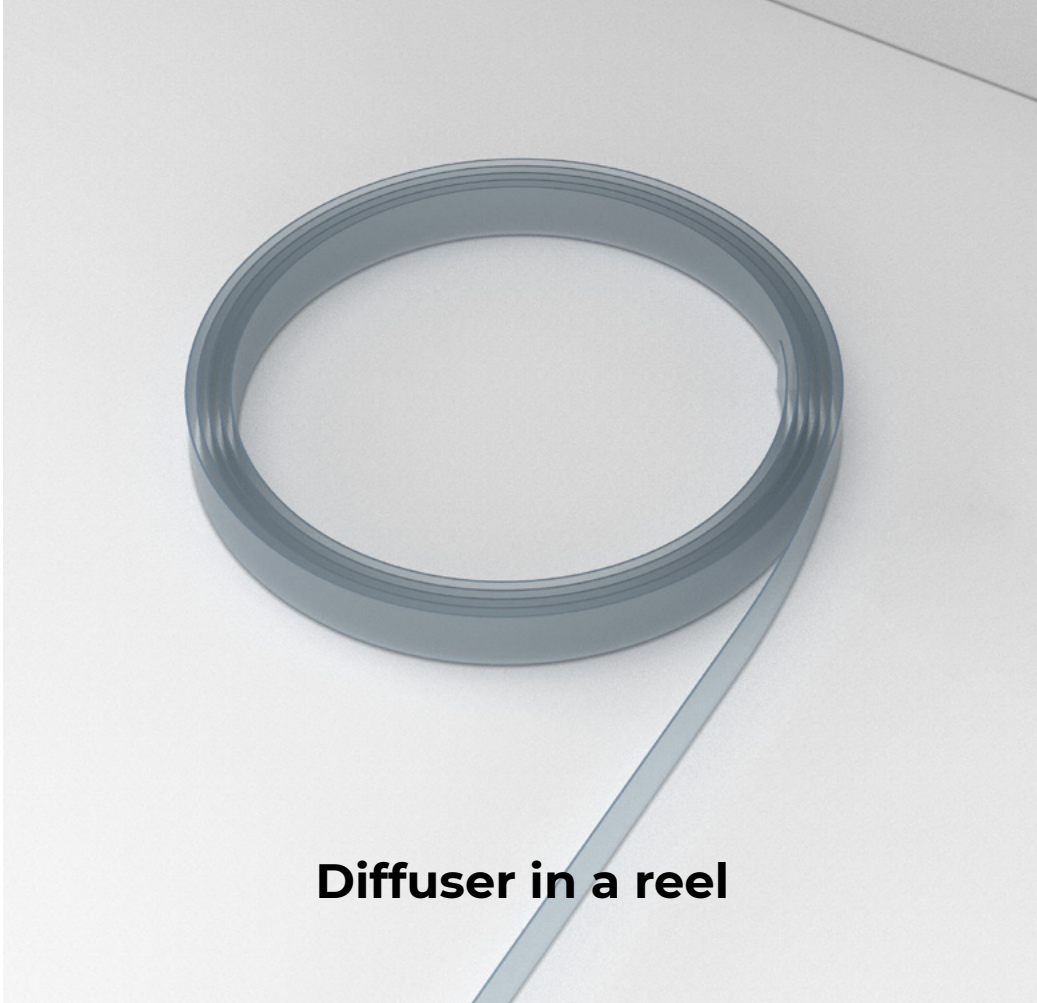
Insert the diffuser and cover the end to prevent light from leaking and insects to come in.

Watch our installation videos

[WATCH THE VIDEO](#)

Accessories

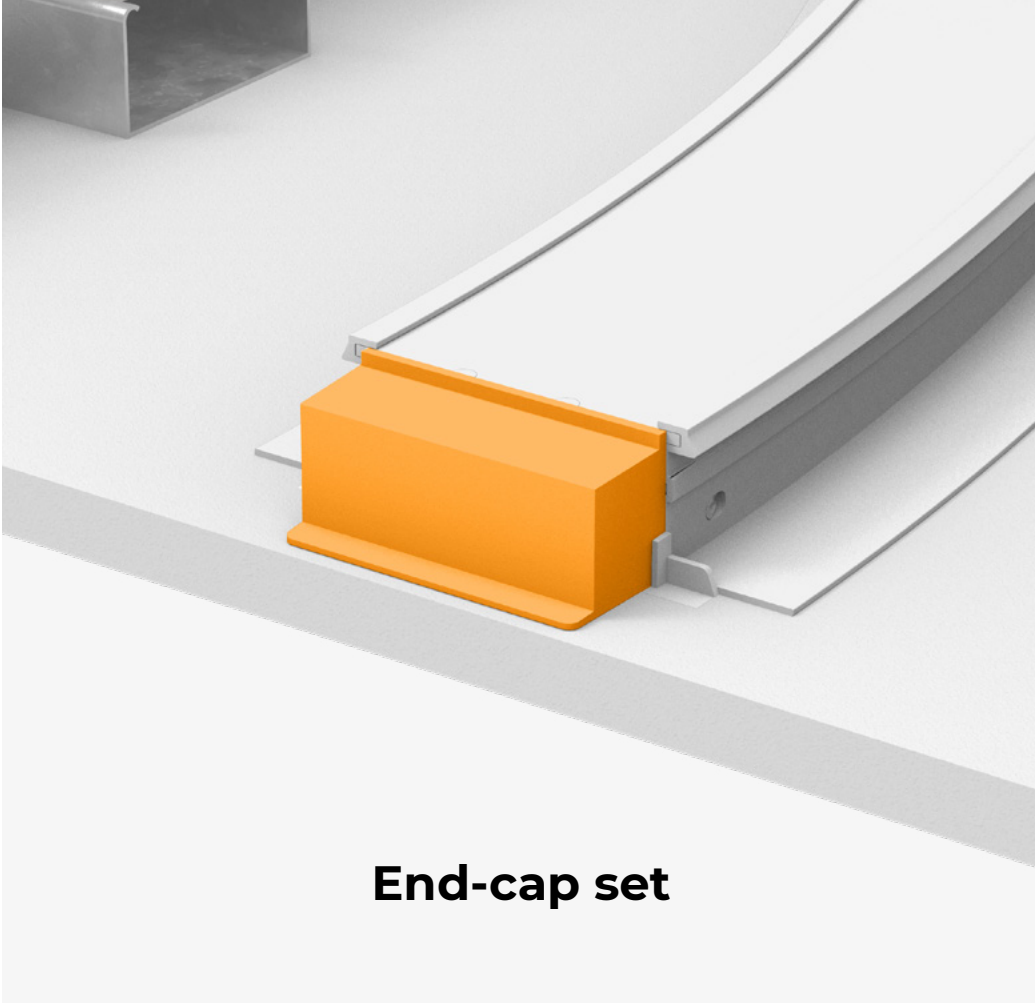
These parts are required for the luminaire to work properly and must be ordered separately



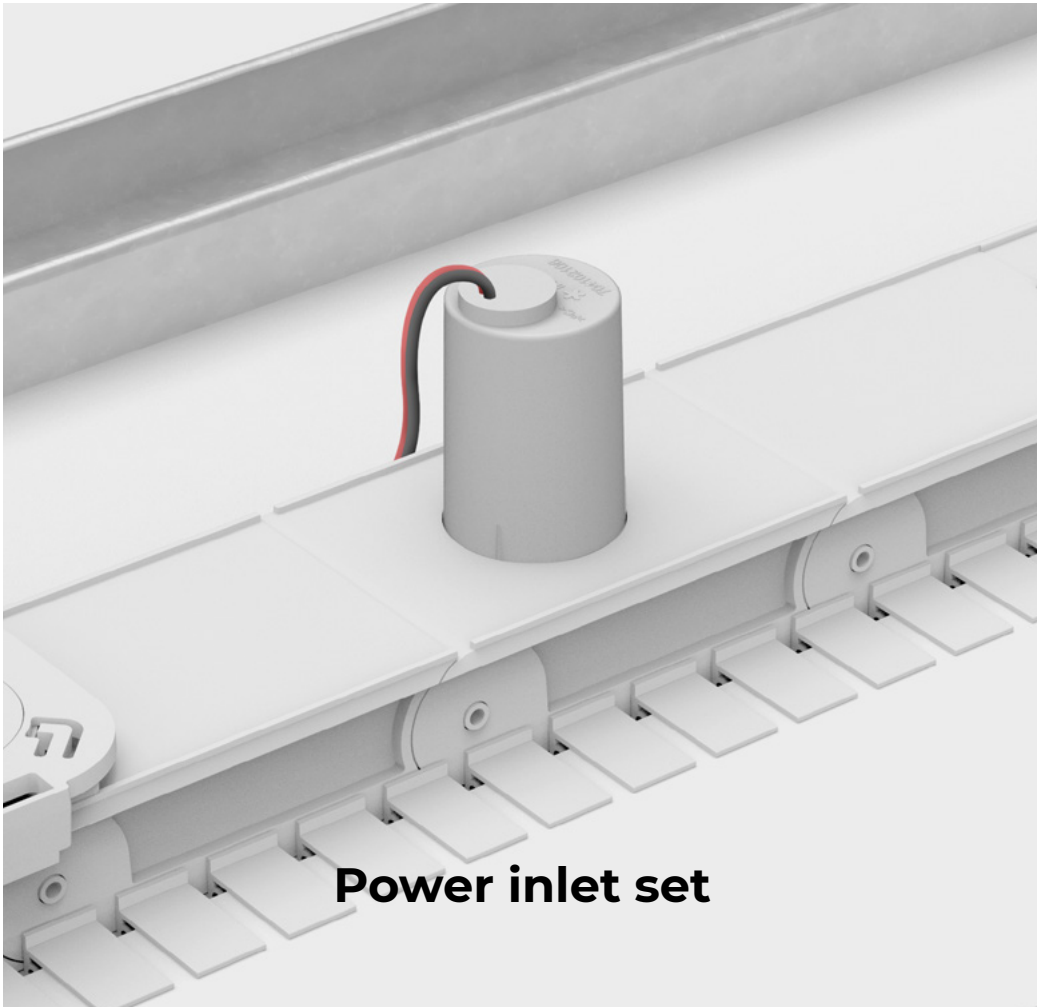
Diffuser in a reel



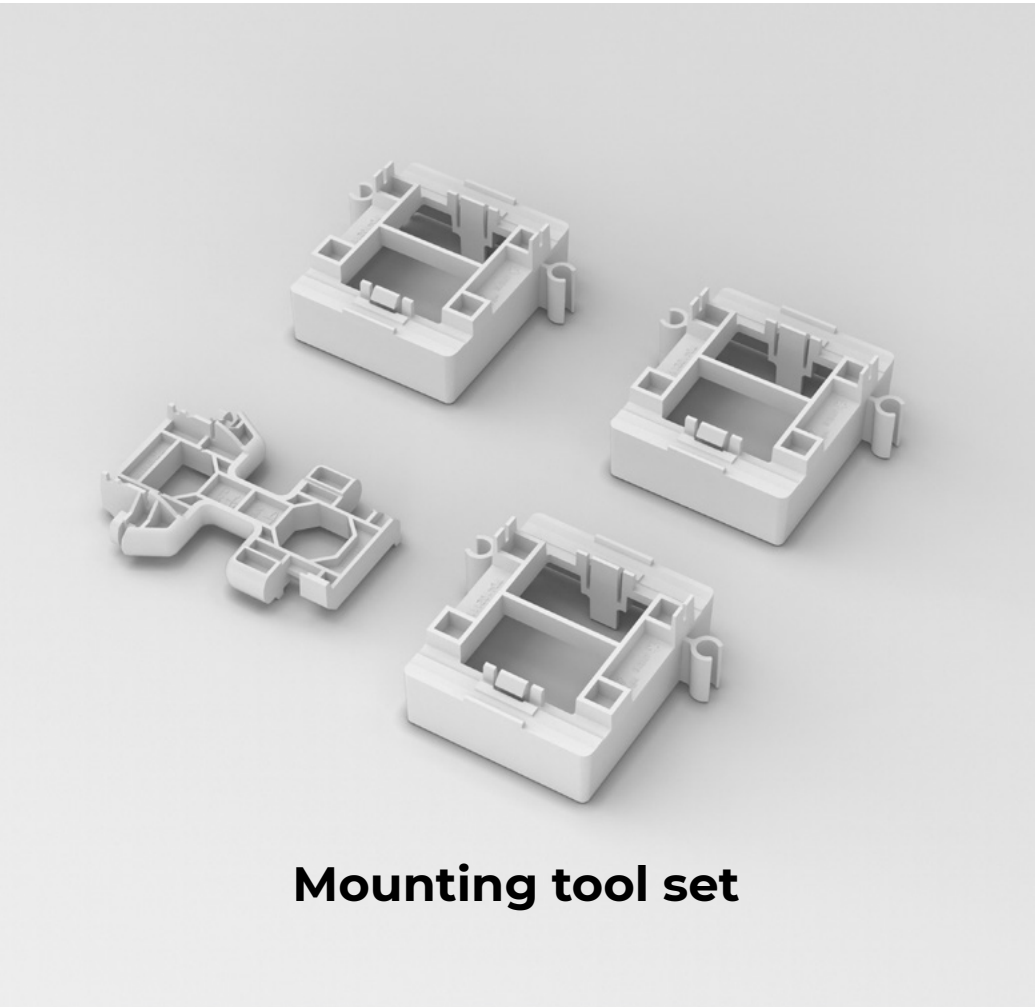
Multifunctional suspender set



End-cap set



Power inlet set



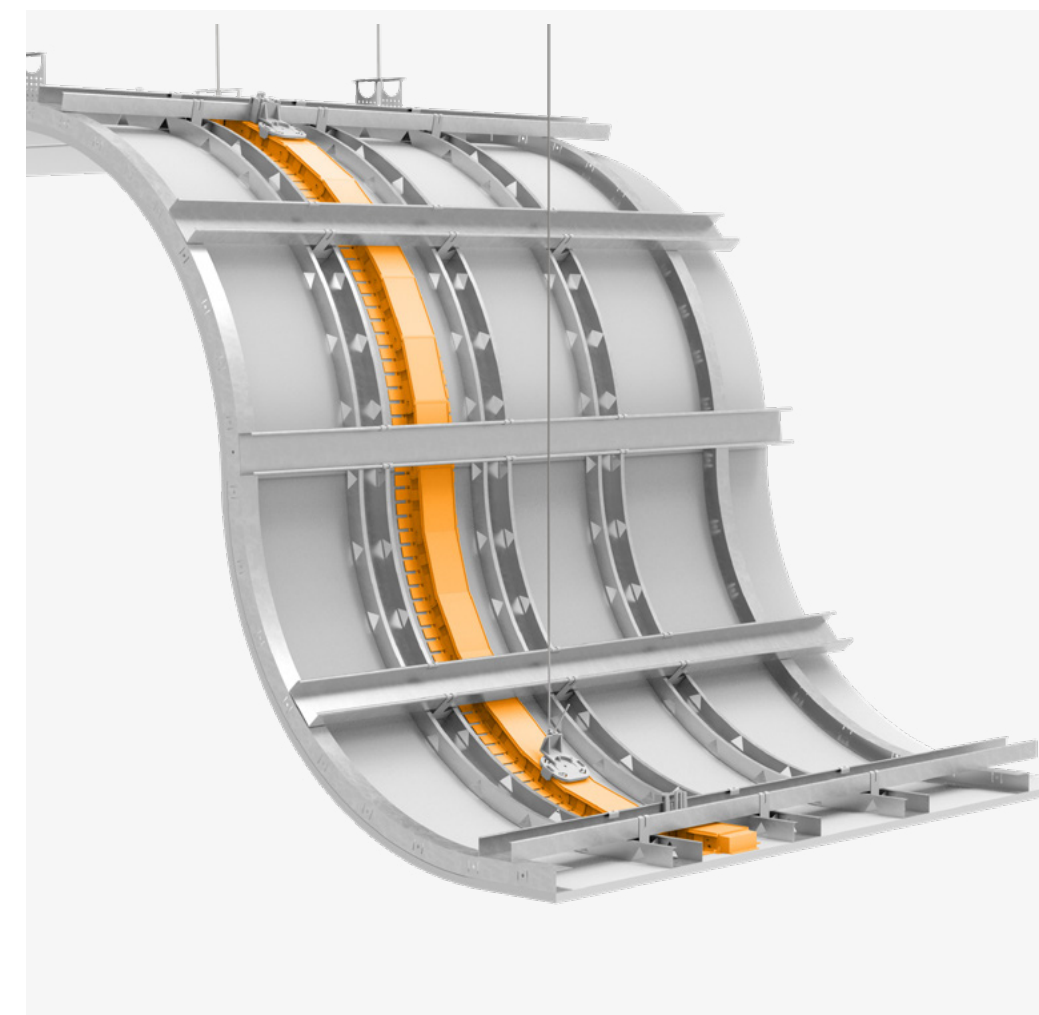
Mounting tool set



Diffuser opener



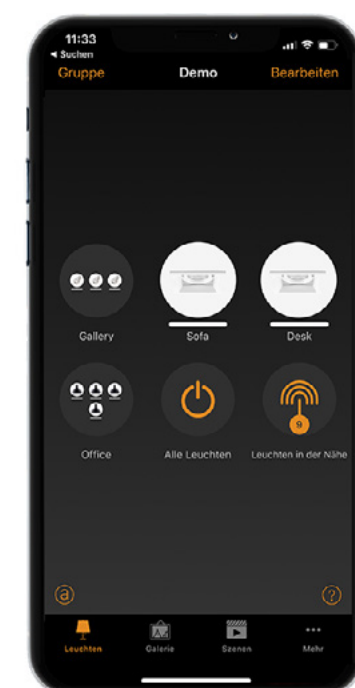
Tracking fluid
architecture



Strong,
reliable and
standardized

Light control

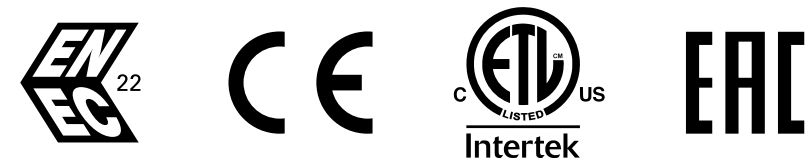
Wireless lighting control system Casambi offers a big variety of possibilities for a user to interact with the lighting. The app for smartphones and tablets is the most elaborated user interface. Besides the app, traditional wall switches, push buttons, Casambi's own scene controllers and many other control points can be used.



Made in Europe

Our products are carefully planned, manufactured and tested in order to ensure reliable operation throughout their life span, to limit the environmental impact as little as possible and to co-create pleasant living conditions. Quality is our highest priority and way of life.

High standards and reliable quality of our products were certified by numerous organisations.



7

Year warranty

100%

Tested products

ISO

Certified productions